

# INTERIOR SYSTEM: ASSEMBLY INSTRUCTIONS

## FLUA WOODEN DOOR

Version 1.3 (2020-11-27)

5.16.1.c



**Subject to technical changes.**

**raumplus**

# INDEX & TOOLS

<b>INDEX:</b>	<b>General information and tools_</b>	<b>page 03</b>
	<b>Accessories_</b>	<b>page 04</b>
	<b>Detaildrawing closet corpus_</b>	<b>page 05</b>
	<b>Exploded drawing doors_</b>	<b>pages 08 - 09</b>
	<b>Drilling template doors_</b>	<b>pages 10 - 11</b>
	<b>Straighten-door gear_</b>	<b>pages 12 - 14</b>
	<b>Cutting dimensions_</b>	<b>page 15</b>

## TOOLS:

- Cross tip screwdriver
- Cordless screwdriver



### VERSION INFORMATION:

Version 1.1: Screws not included, recommendation added.  
Version 1.2: Added damper units to 60 Kg / updated terms  
Version 1.3: Item numbers corrected




# GENERAL INFORMATION





## GENERAL INFORMATION:

### Preparation:

- Please check the completeness of the delivered parts and their item numbers according to the delivery note and the assembly instruction.
- Please check the delivered parts for possible damage.
- If several parts are damaged or lost, please contact your responsible retailer.
- Please note that the assembly must only be performed by qualified and trained staff in strict compliance with all details indicated in this document. Improper installation in variation from manufacturer's specification may cause defects and danger, thus endangering the safe fixing of the product as well as the safety of the prospective user. The liability of the manufacturer shall be excluded in case of defects and consequential damages resulting from incorrect assembly of this product.

## SYMBOLS:

Symbol	Importance
	Risk or danger!
	Advice and information
	Additional information / other documents

	Directional data / direction of movement
	„yes“ and „right“
	„no“ and „wrong“
	Follow the order

### Notice:

- It is assumed that you have exactly identified all cutting dimensions.
- For help with your raumplus-product, please contact your responsible retailer.

### Assembly or installation?

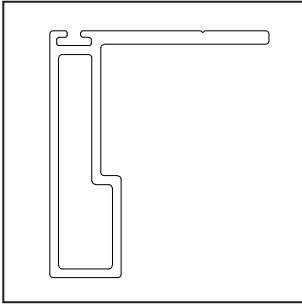
- For the assembly of the delivered raumplus-product please follow the job steps described in the assembly instruction.
- For the installation of the delivered raumplus-product please follow the job steps described in the installation instruction.

## SYSTEM:

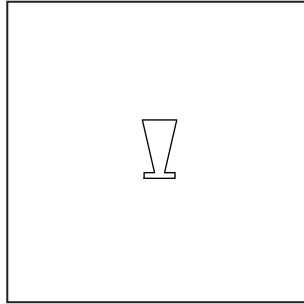
### Information

- max. door weight 60kg
- min. / max. door height = 700mm / 2750mm
- min. / max. door width = 750mm / 1800mm

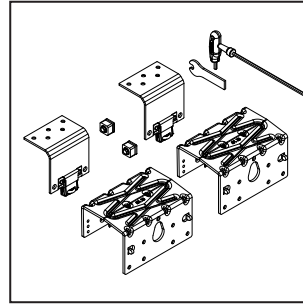
# ACCESSORIES



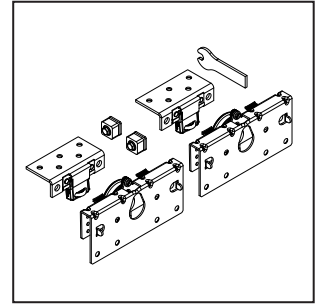
1\_ 21.71.0xx



2\_ 10.20.06x



3\_ 10.20.105



4\_ 10.20.120

- 1\_ Stile wooden door
- 2\_ Dust excluding brush
- 3\_ Sliding mechanism set exterior door
- 4\_ Sliding mechanism set interior door
- 5\_ Door straightening system, 1 Set at a door, w/o fig. (10.20.007)

## Screws (not included)

for

1\_ Stile wooden door

Würth Chipboard Screws 4 x 16  
Countersunk head with full thread  
Würth Model (0198 4 16)

for

3\_ Sliding mechanism set exterior door

4\_ Sliding mechanism set interior door

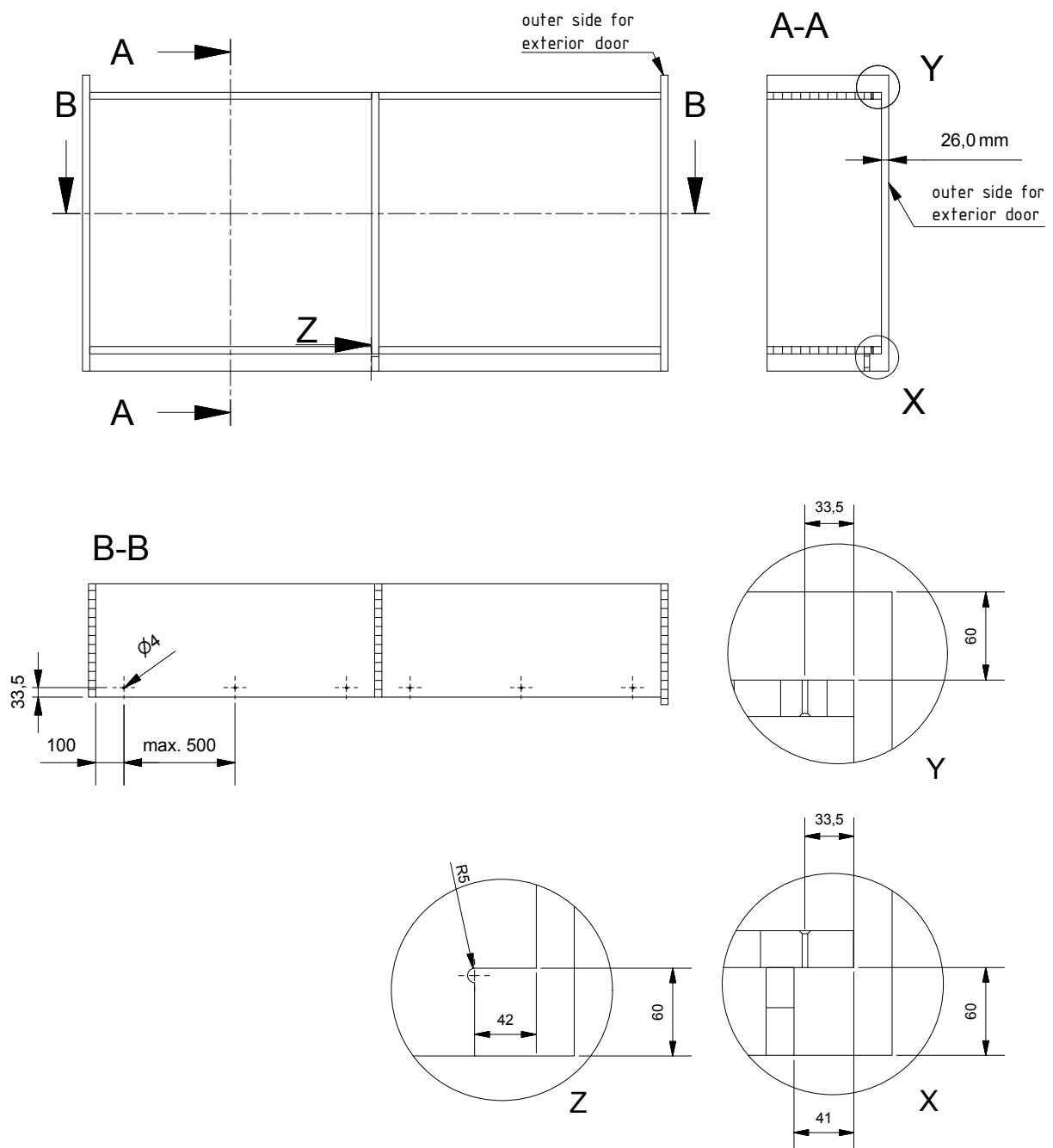
5\_ Damper set interior door

6\_ Damper unit exterior door

Würth Chipboard Screws 4.5 x 16  
Countersunk head with full thread  
Würth Model (0198 45 16)

# DETAILED DRAWINGS

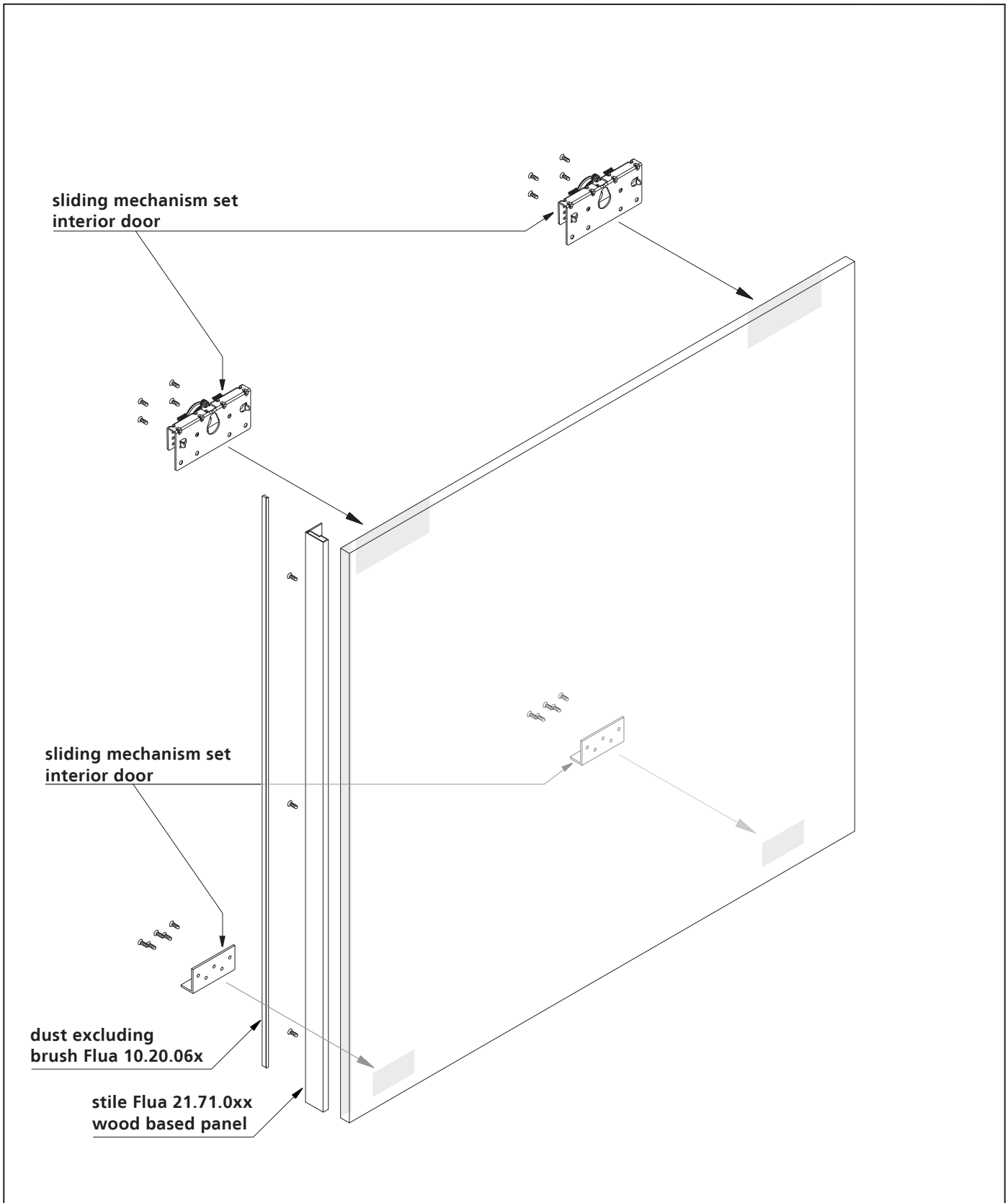
## CABINET



1\_ Cabinet dimensions and drilling pattern of rails

# INTERIOR DOOR

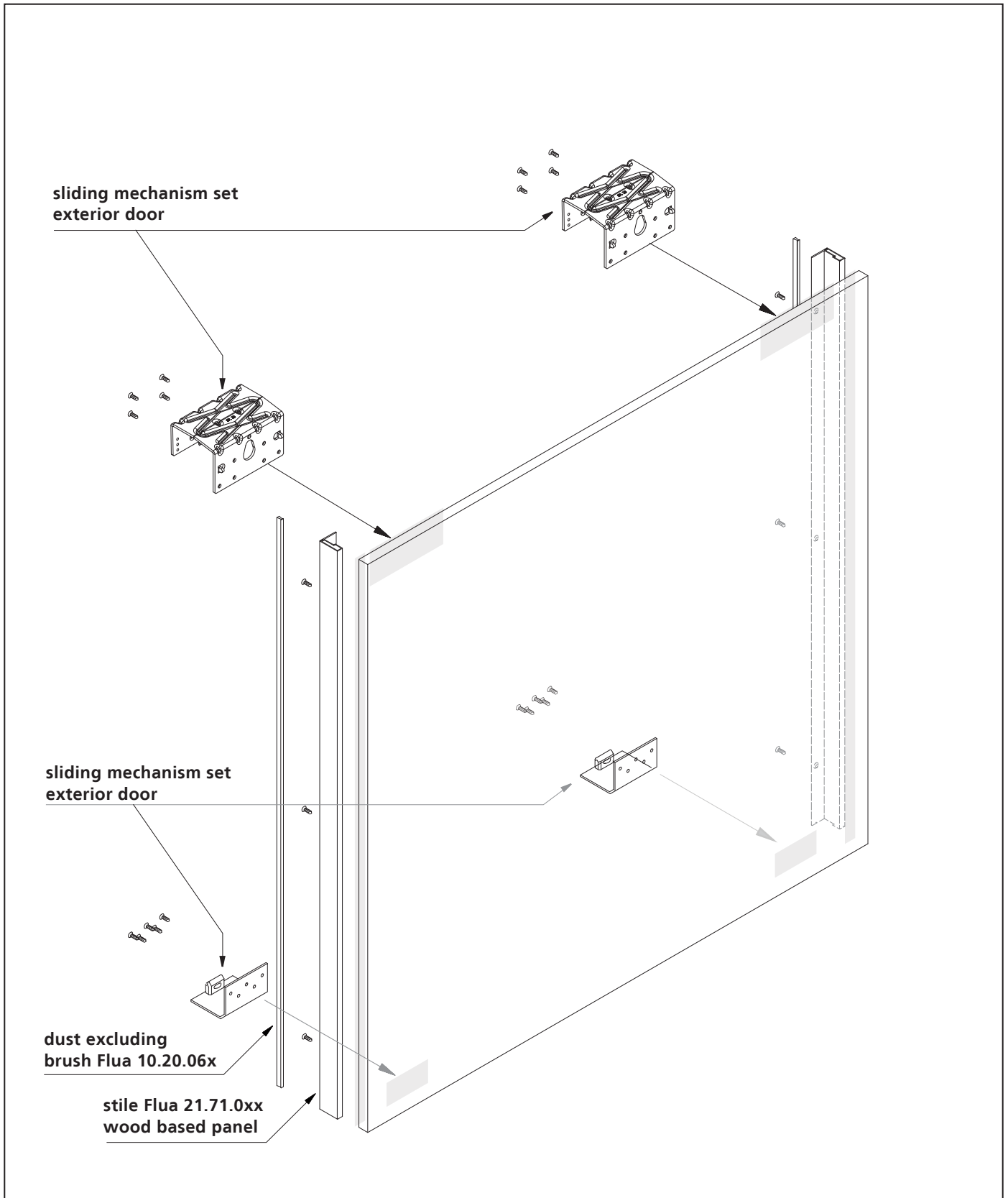
## EXPLODED DRAWING



06\_07

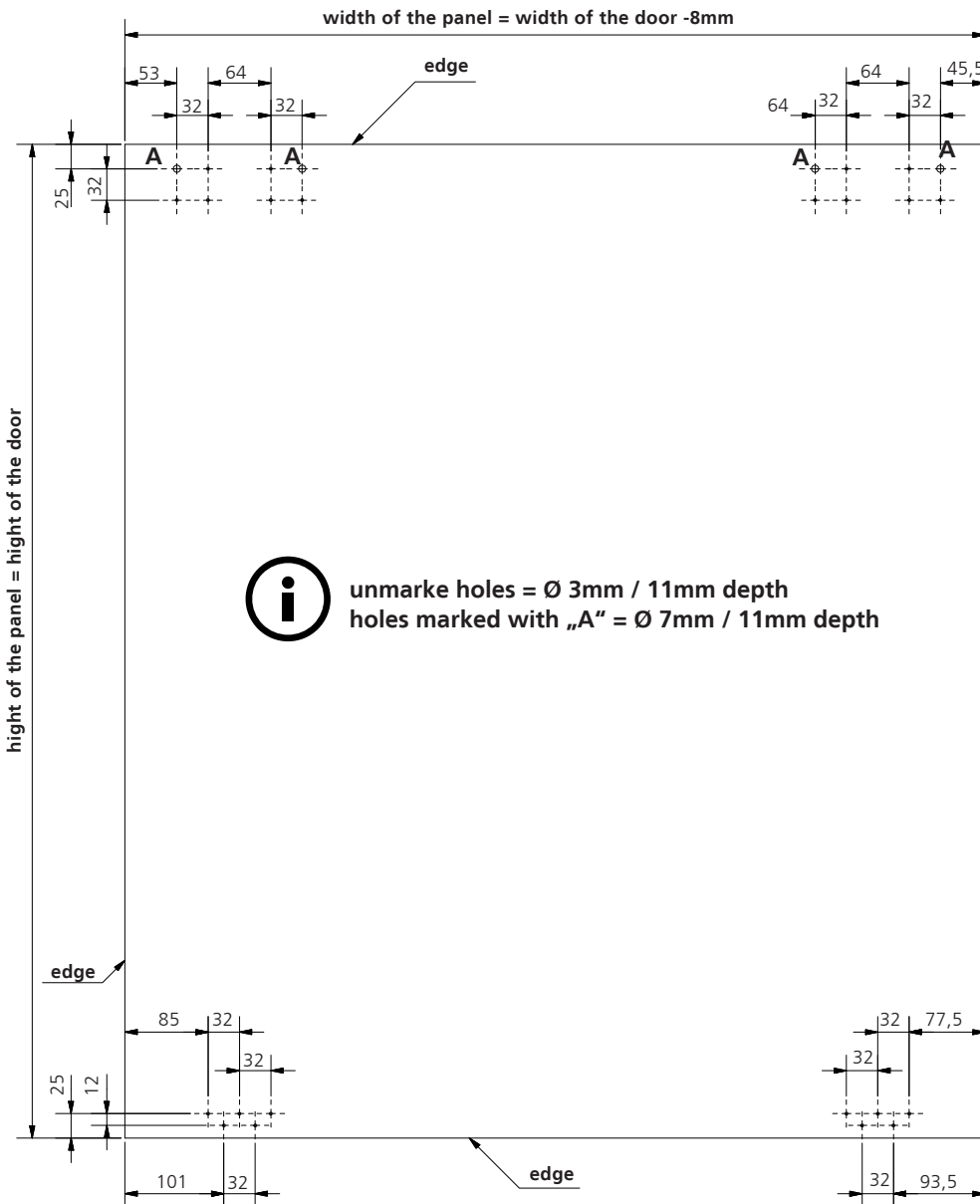
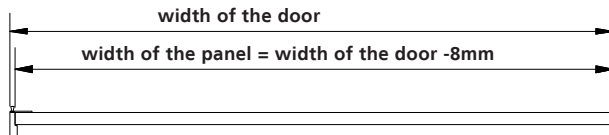
# EXTERIOR DOOR

## EXPLODED DRAWING



# DRILLING TEMPLATE

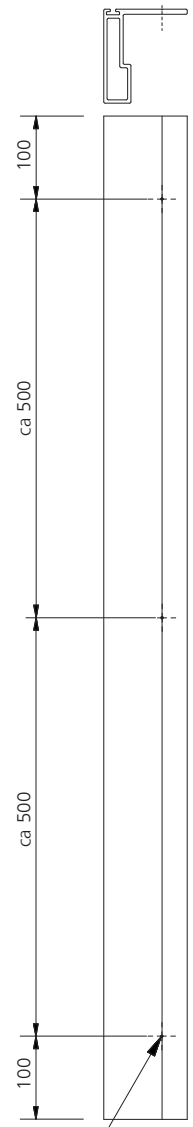
## INTERIOR DOOR AND STILE



unmarke holes =  $\varnothing$  3mm / 11mm depth  
 holes marked with „A“ =  $\varnothing$  7mm / 11mm depth

The drilling pattern applies to all vertical profiles.

The door panels do not predrill.



$\varnothing$  4mm THROUGH  
 reduction according to screw

08\_09

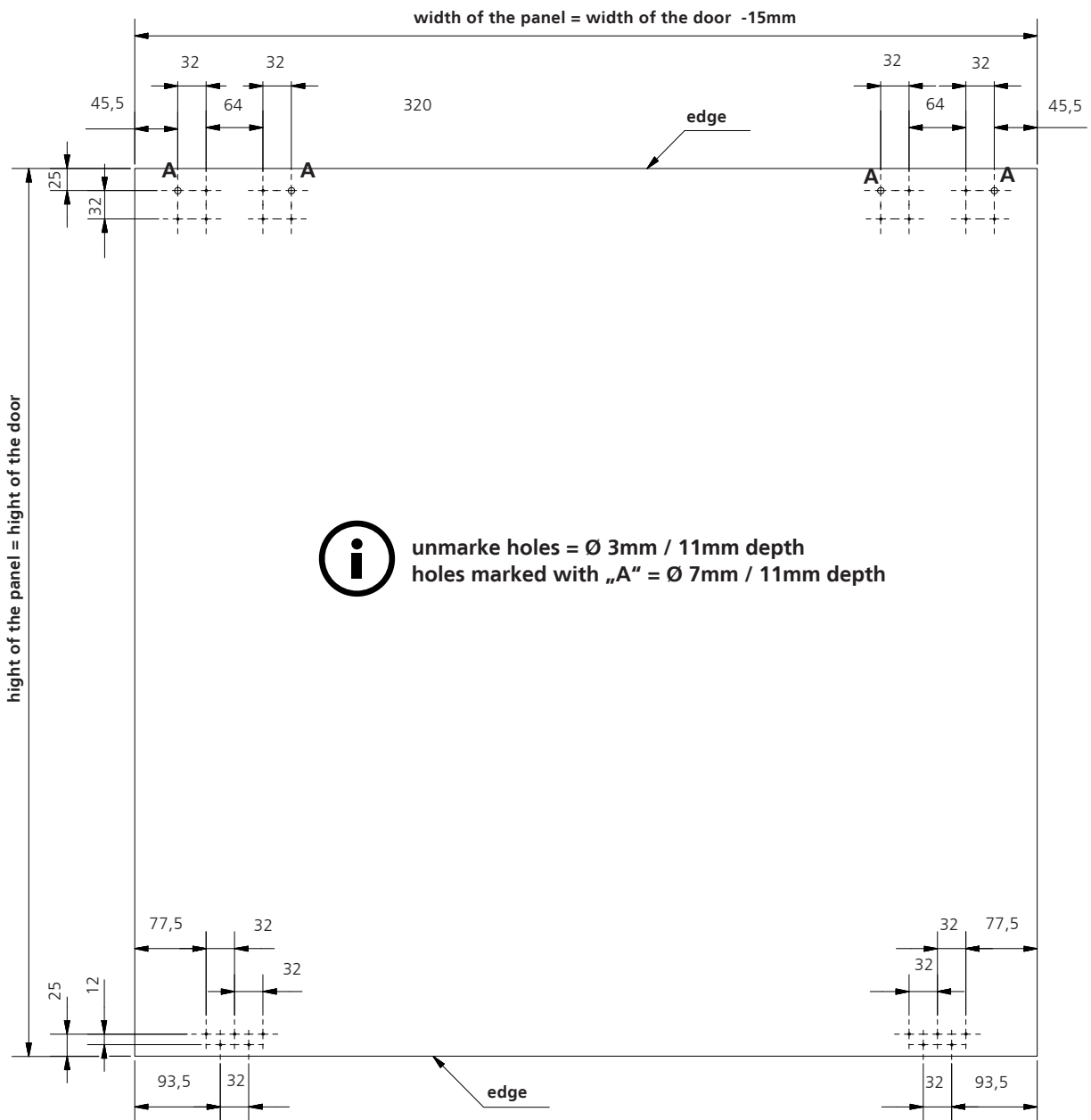
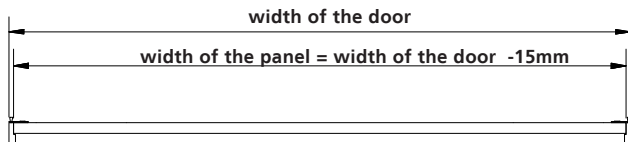
1\_ View of the rear

1a\_ Stile



# DRILLING TEMPLATE

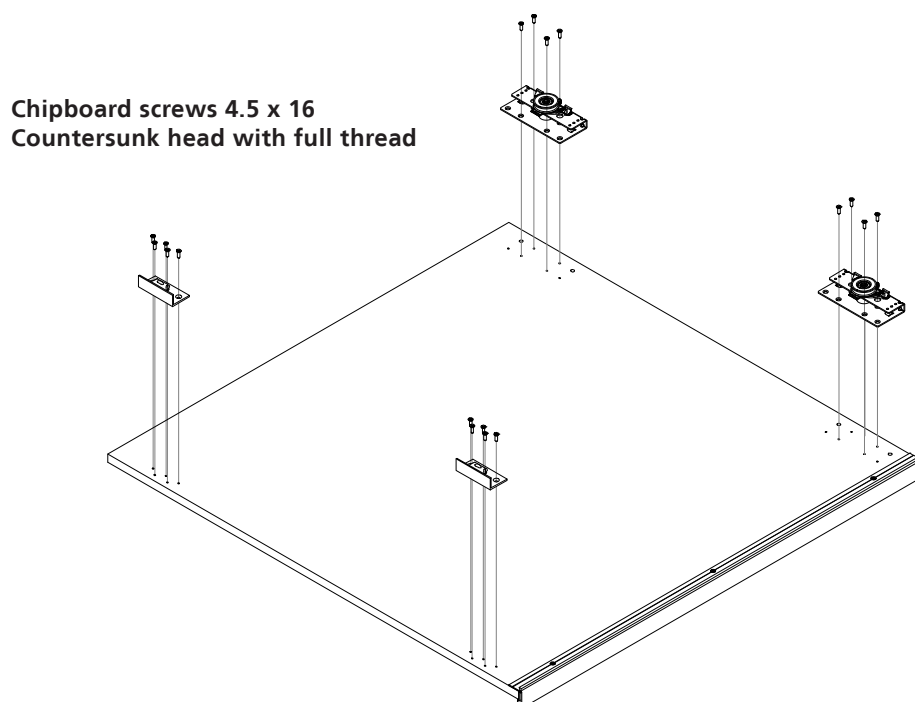
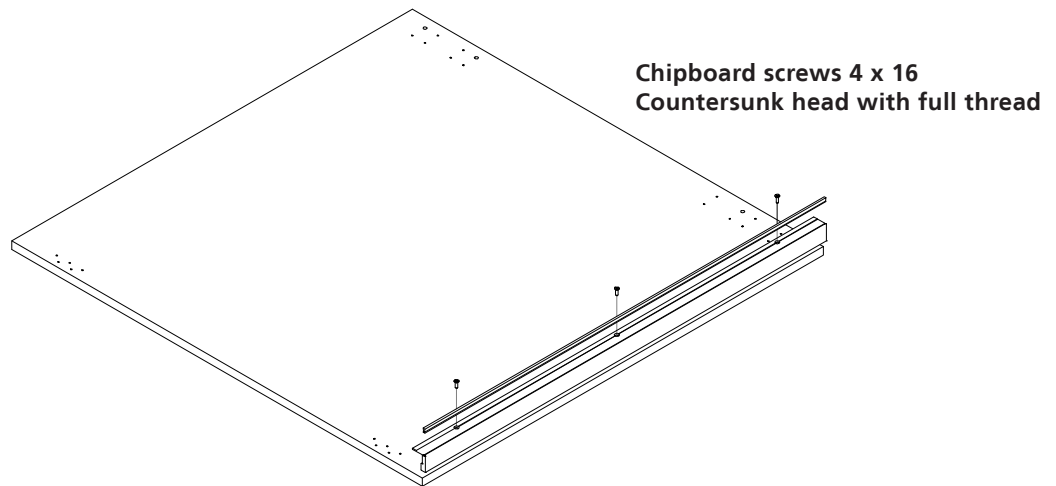
## EXTERIOR DOOR



2\_ View of the rear

# DETAILED DRAWINGS

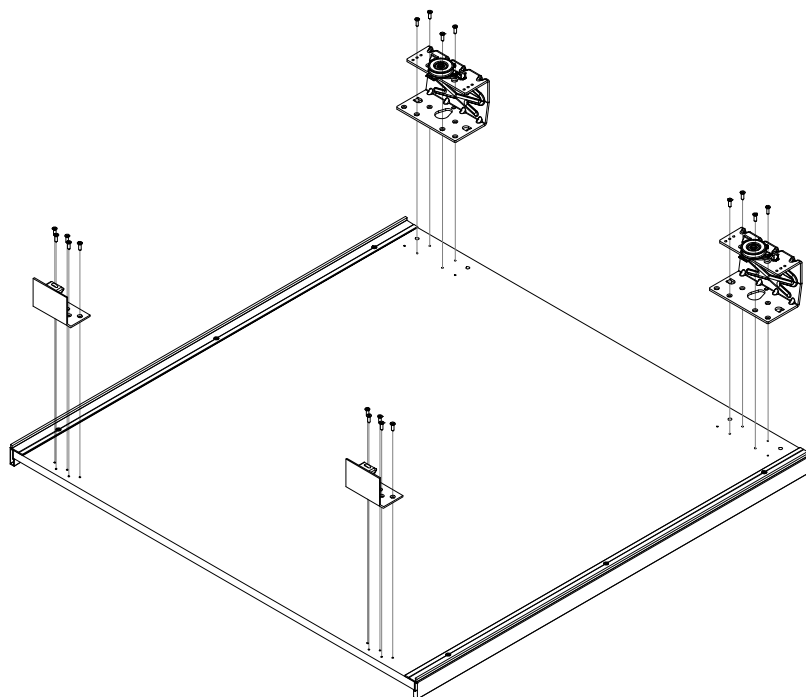
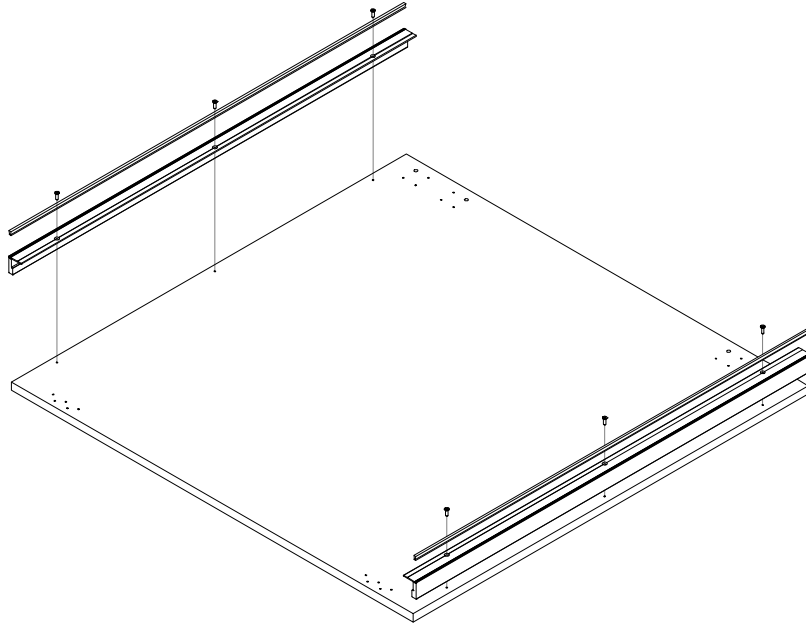
## INTERIOR DOOR MOUNTING THE FITTINGS



10\_11

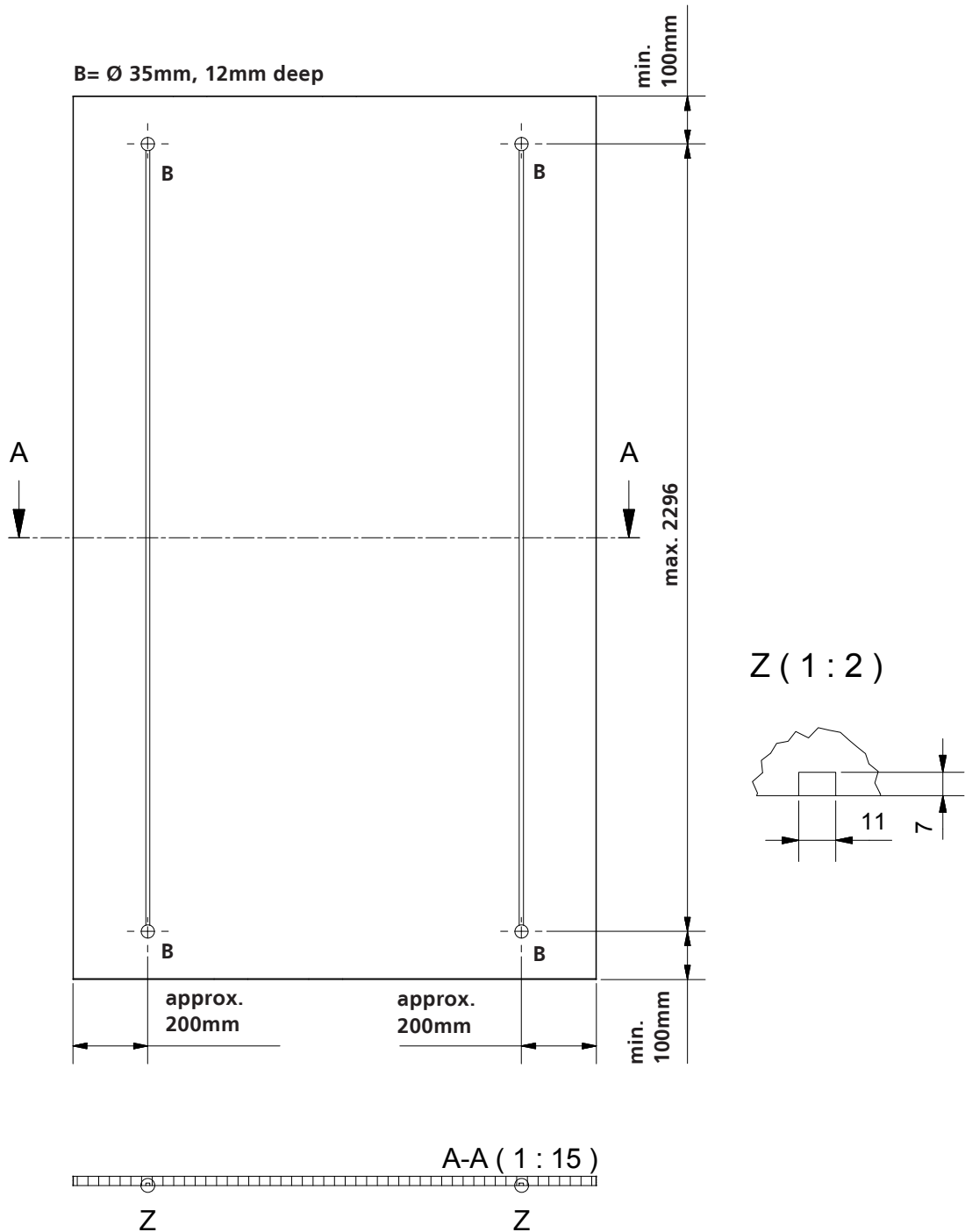
# DETAILED DRAWINGS

## EXTERIOR DOOR MOUNTING THE FITTINGS



2\_ Take a look at the left side.

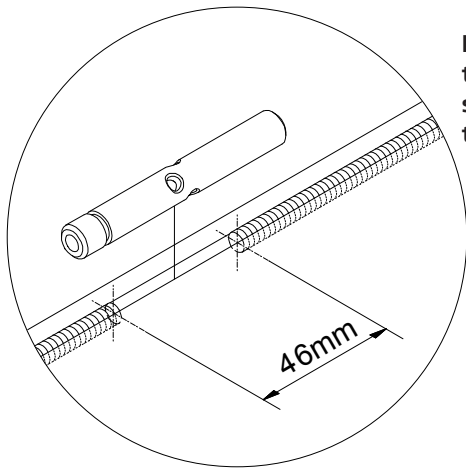
# DETAILED DRAWINGS DRILLING TEMPLATE / MILLING PATTERN STRAIGHTEN-DOOR GEAR



12\_13

# DETAILED DRAWINGS

## MOUNTING STRAIGHTEN-DOOR GEAR

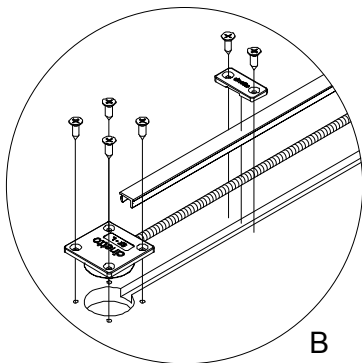
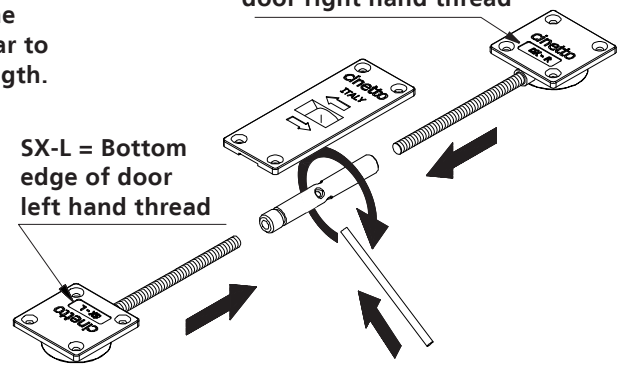


If necessary shorten the threaded rods of the straighten door gear to the appropriate length.

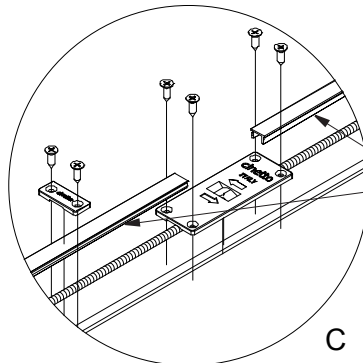
DX-R = Top edge of door right hand thread

SX-L = Bottom edge of door left hand thread

A

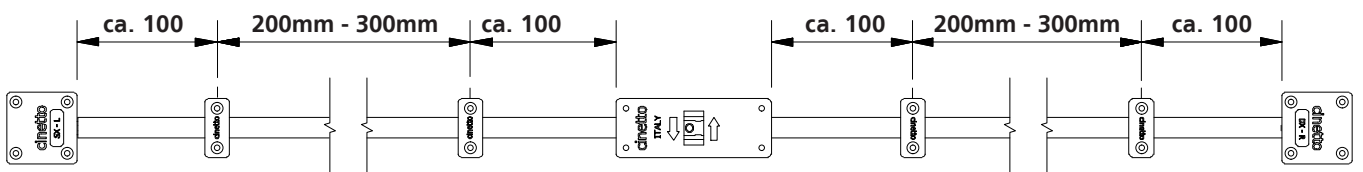
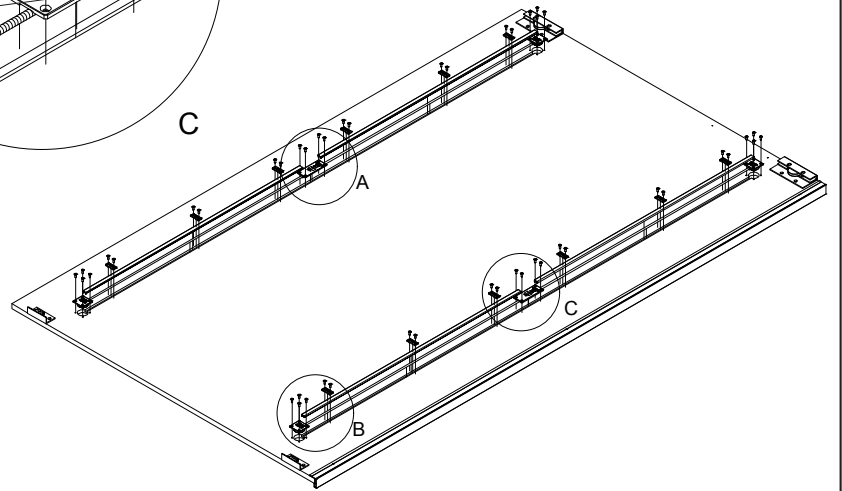


B



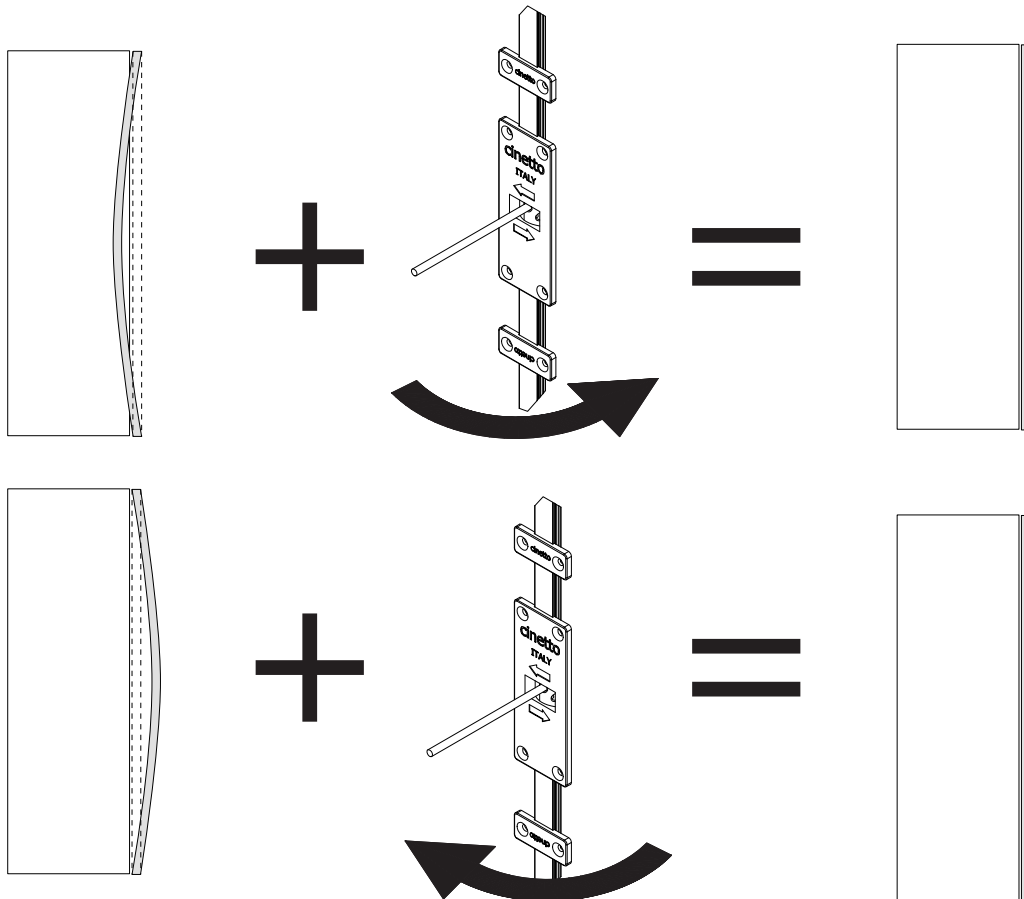
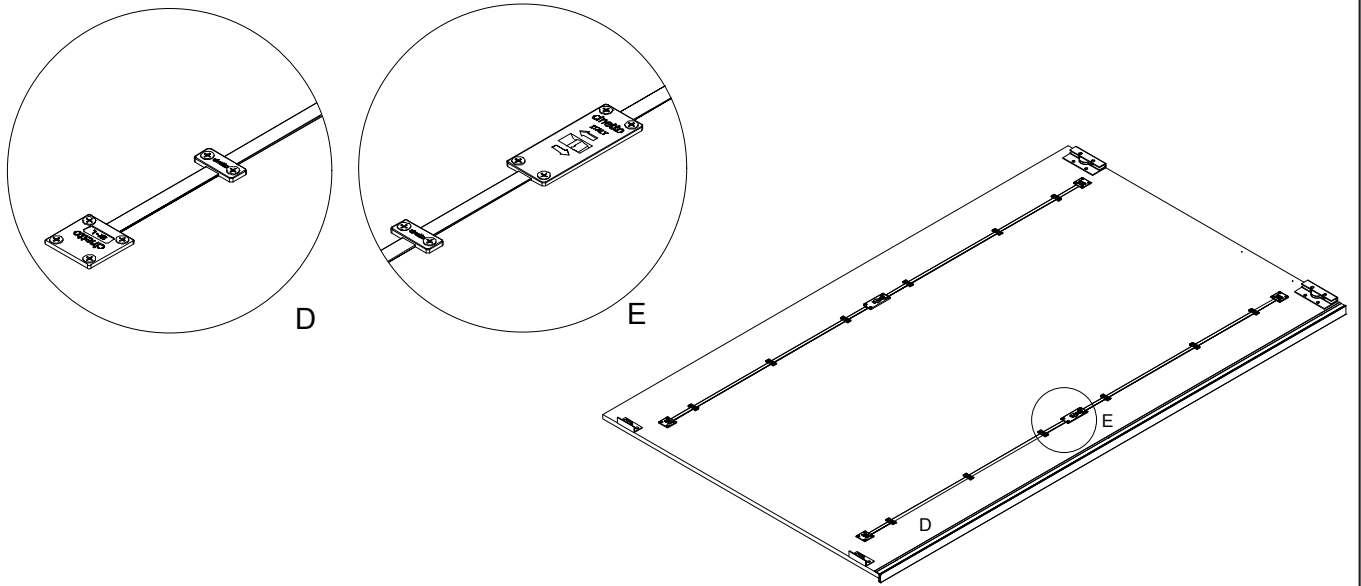
C

Saw the U-profile coverage to the appropriate length



# DETAILED DRAWINGS

## ALIGNING THE DOORS



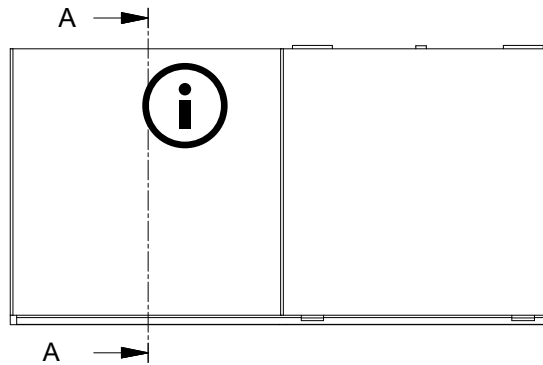
14\_15

# CUTTING DIMENSION

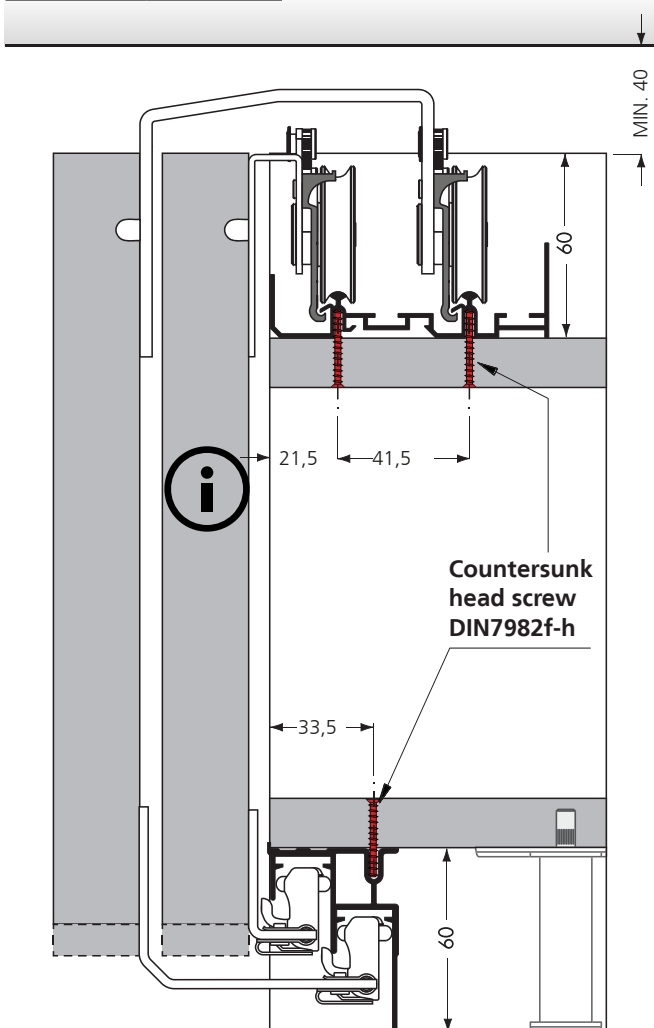
## INTERIOR AND EXTERIOR DOOR

interior door:  
 $DW = (CW + 16mm) / 2$   
 $PW = DW - 8mm$

exterior door:  
 $DW = (CW + 16mm) / 2$   
 $PW = DW - 15mm$



Countersunk head screw DIN7982f-h	
Screw length	Panel thickness
27	19
29	22
32	25
35	28



### General

max. weight: **60Kg**

max. height: **2600mm**

min. height: **700mm**

max. width: **1800mm**

min. width: **750mm**

Overlapping: **16mm**

Panel: **19mm**

### Legend:

**CH:** Cabinet height

**CW:** Cabinet width

**DH:** Door height

**DW:** Door width

**LV:** Length of vertical profile

**PH:** Panel height

**PW:** Panel width

### Cutting measures:

$DH = CH - 35mm$

$DH = LV = PH$

**PW = see above**

### 1\_ Cutting dimension / vertical section

