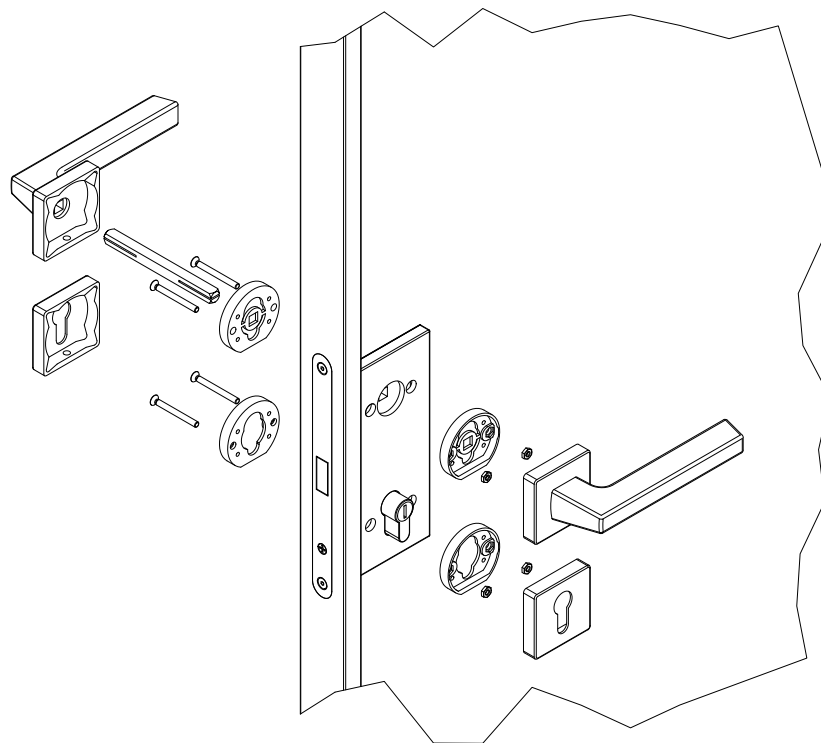


# SWING DOOR / SWING DOOR SLIM LINE: ATTACHMENT: MAGNETIC LOCK

Version 1.0 (2018-03-01)



2.991.c

easy medium difficult

Assembly



subject to technical changes.

**raumplus**

# CONTENT AND TOOLS

## CONTENT:

|   |      |    |
|---|------|----|
| Content and tools                               | page | 02 |
| Accessories                                     | page | 03 |
| Lever Handle Set                                | page | 04 |
| Requirements                                    | page | 05 |
| Swing door overview                             | page | 06 |
| Door frame Swing door milling pattern           | page | 07 |
| Swing door slim line overview                   | page | 08 |
| Door frame Swing door slim line milling pattern | page | 09 |
| Assembly  | page | 10 |
| Assembly  | page | 11 |
| Frame and locking plate                         | page | 12 |
| Particularities                                 | page | 13 |

## TOOLS:

(without claim of completeness)

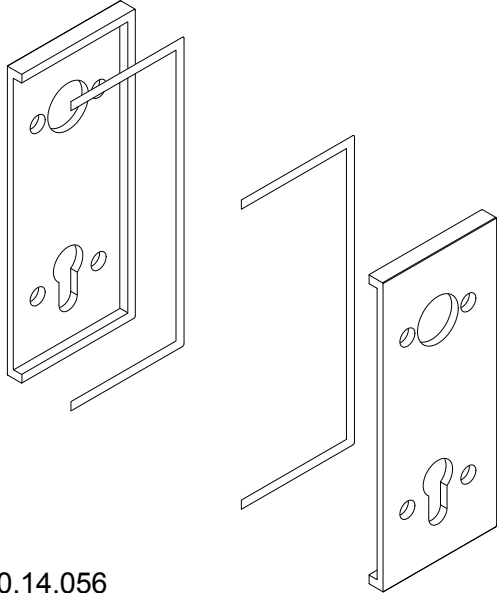
- Aluminium saw
- Allen keys set
- Drills set
- Cross tip screwdriver
- Electric drill
- Cordless screwdriver
- Screwdriver set
- Pencil
- Milling machine
- Straight edge



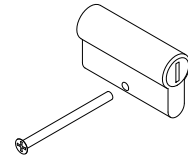
### VERSION INFORMATION:

Version 1.0: Product launch

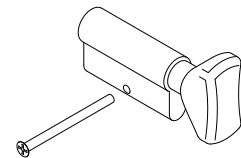
# ACCESSORIES



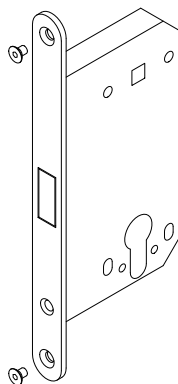
10.14.056  
**lock case**  
**silver lacquered**



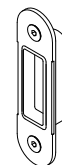
10.14.054  
**profile cylinder**  
**nickel mat**



10.14.061  
**knob cylinder with**  
**red/green indicator**  
**nickel mat**



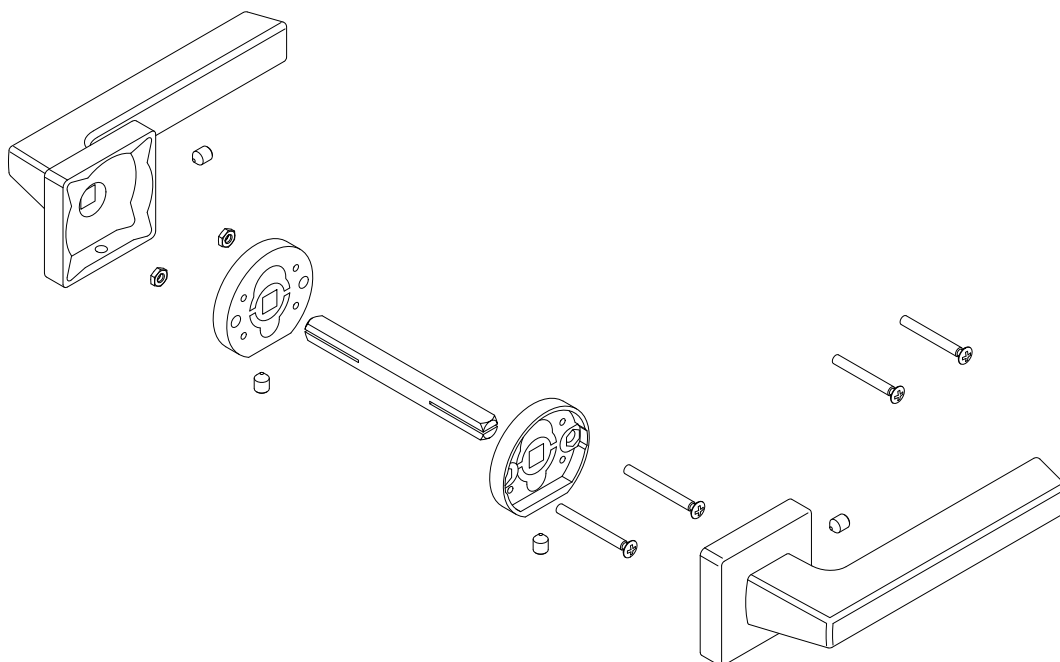
10.14.050  
**magnetic lock**  
**nickel mat**



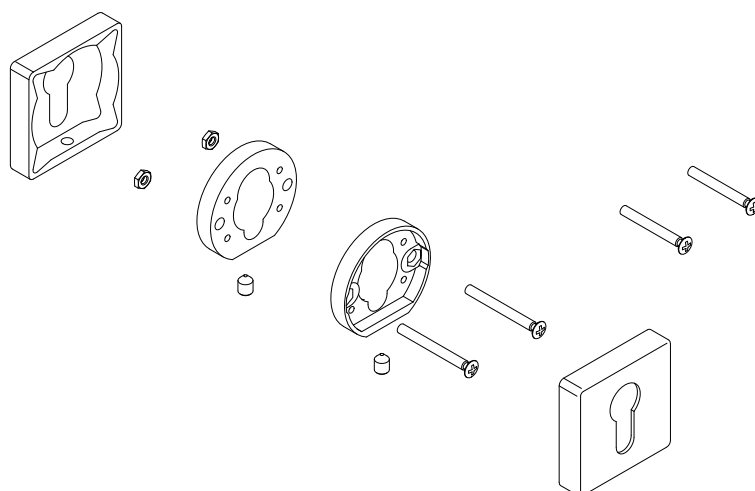
10.14.052  
**locking plate f. mangetic lock**  
**nickel mat**

# LEVER HANDLE SET

EXPLODED DRAWING

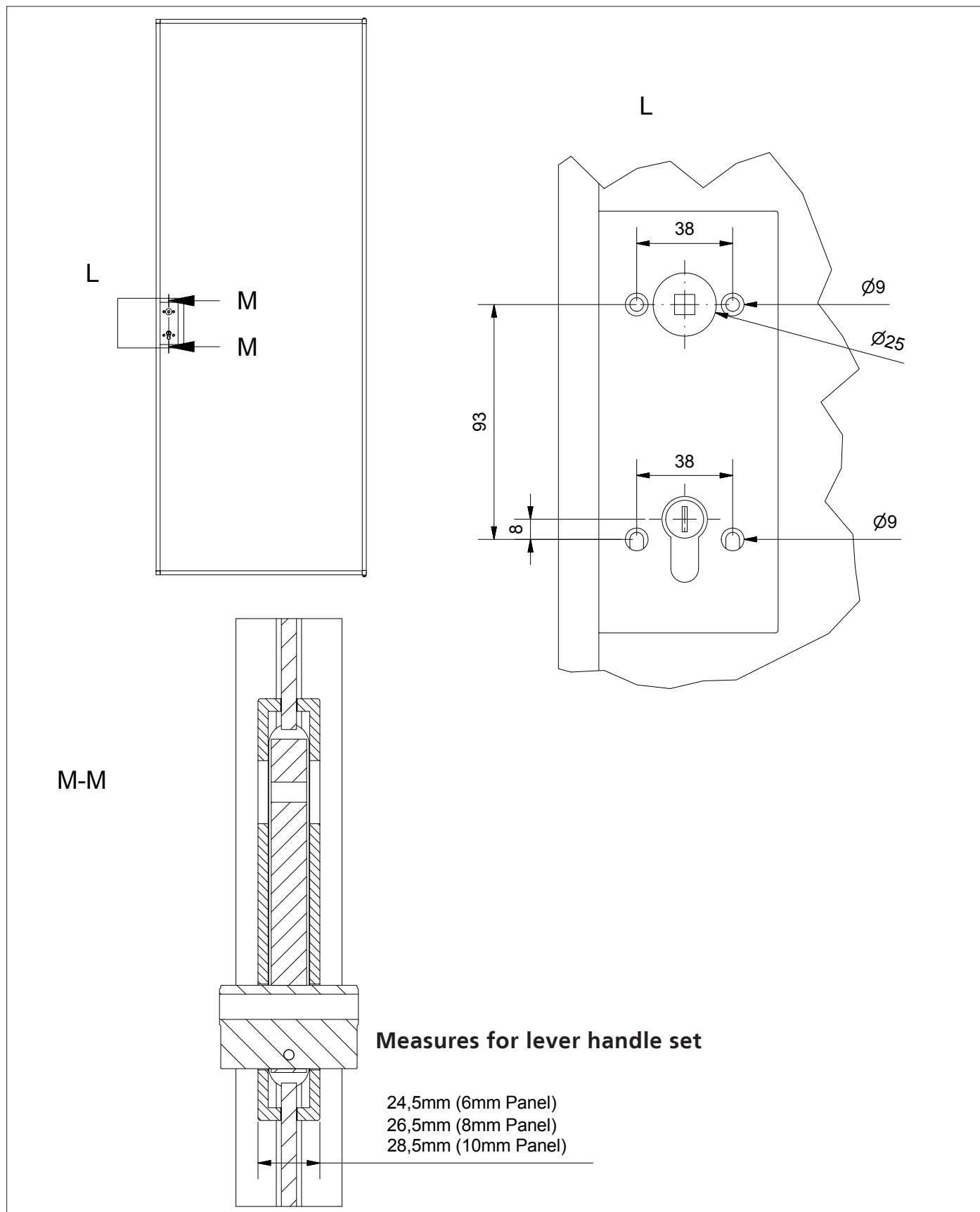


10.14.065  
handle with square rosettes  
silver

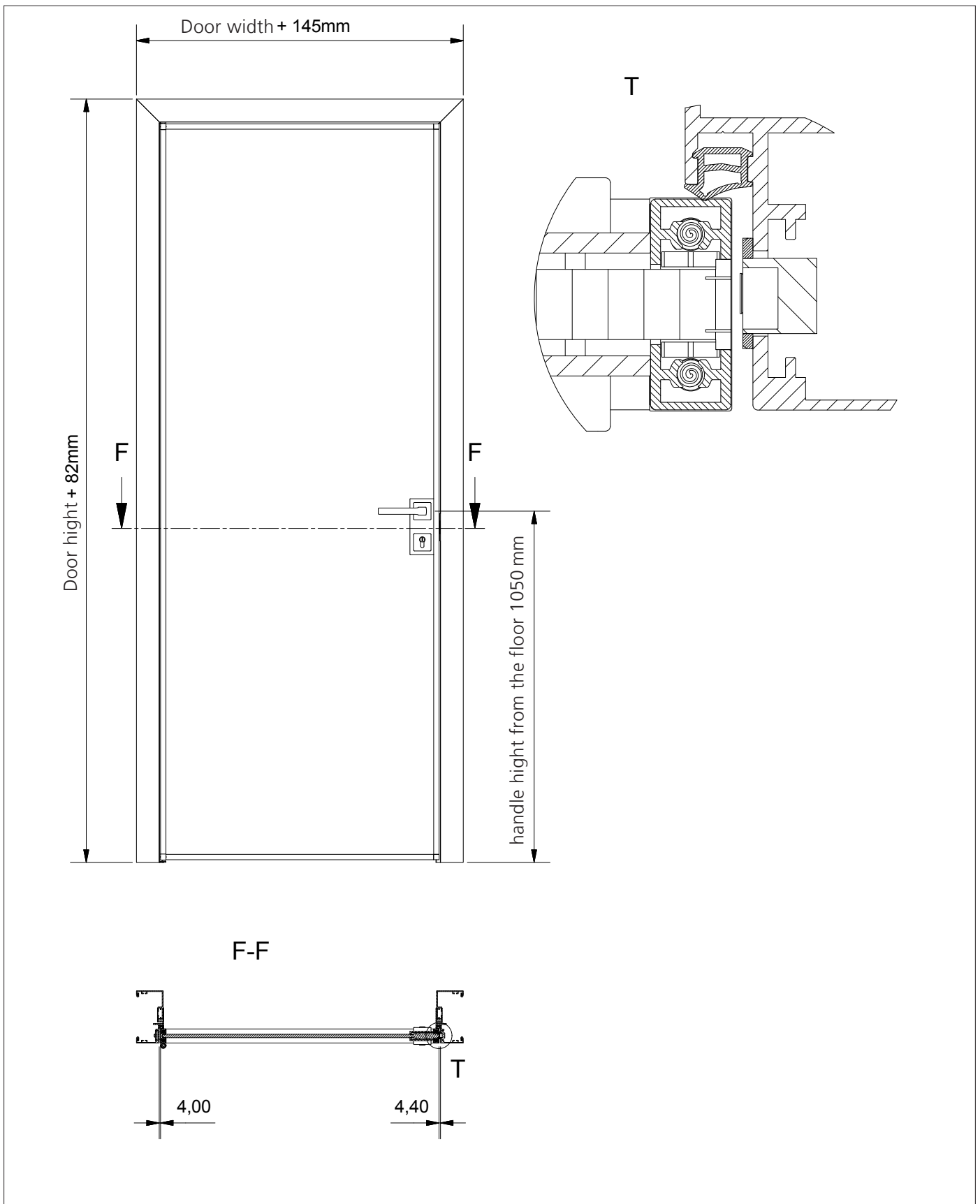


10.14.067  
square rosettes f. profile cylinder, silver

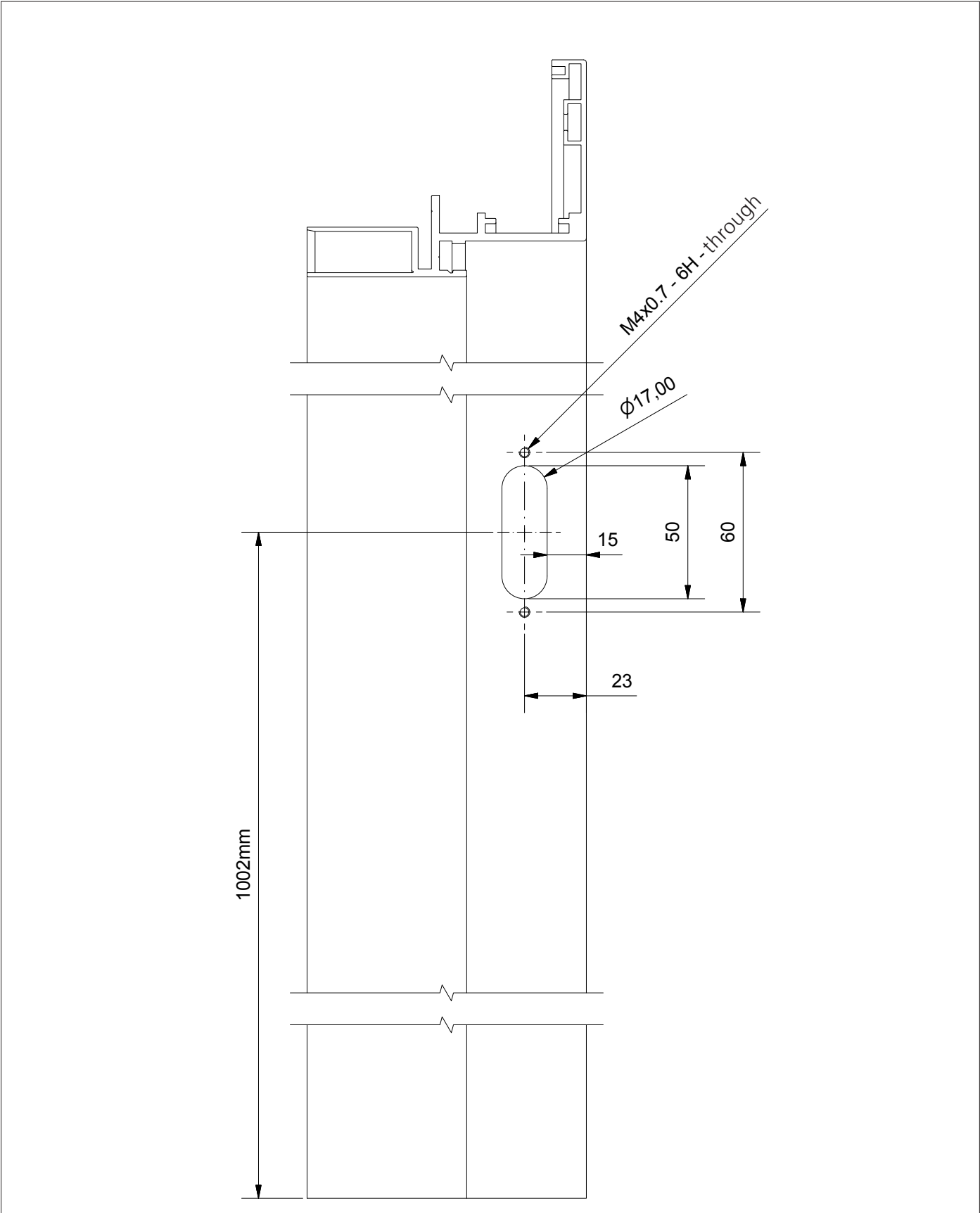
# REQUIREMENTS FOR THE LEVER HANDLE SET



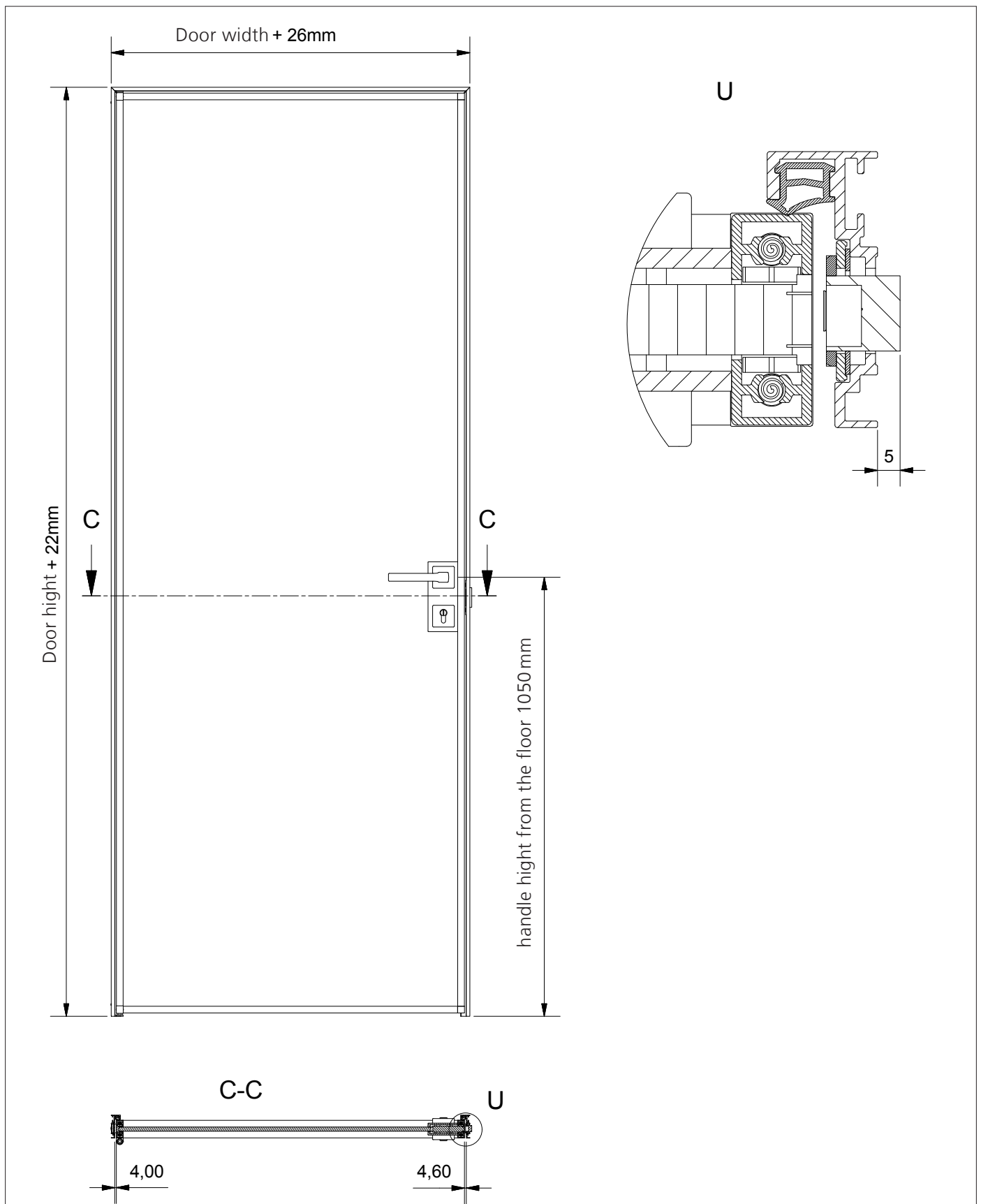
# SWING DOOR OVERVIEW



# DOOR FRAME SWING DOOR MILLING PATTERN



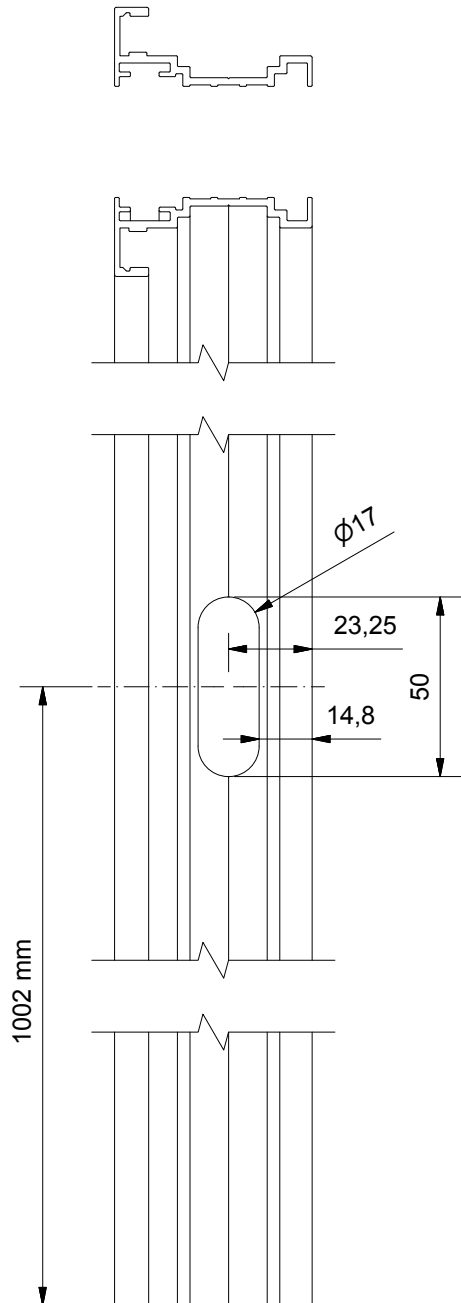
# SWING DOOR SLIM LINE OVERVIEW



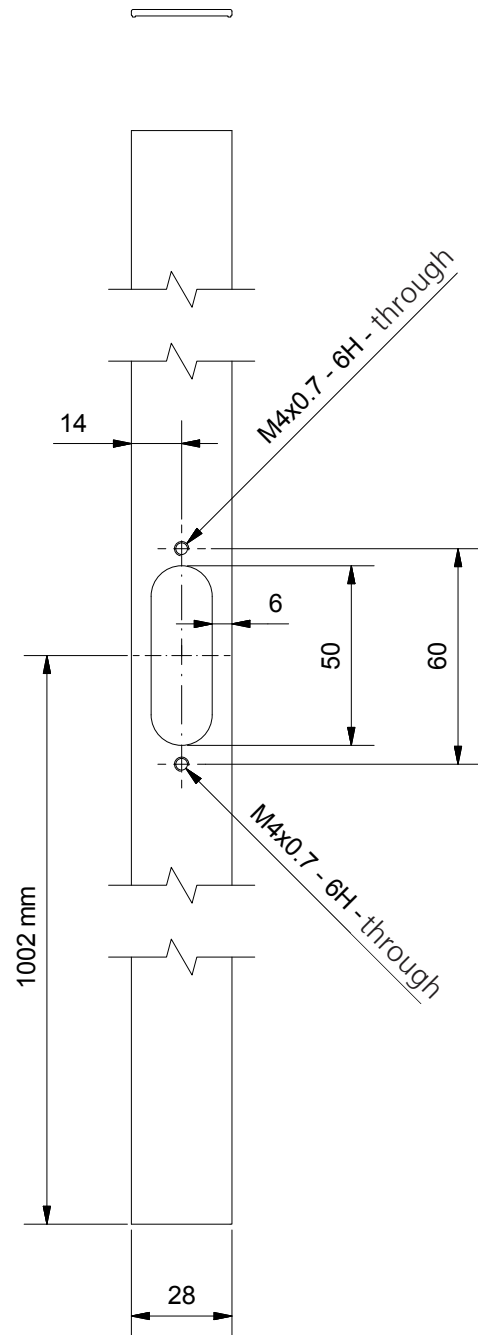


# DOOR FRAME SWING DOOR SLIM LINE MILLING PATTERN

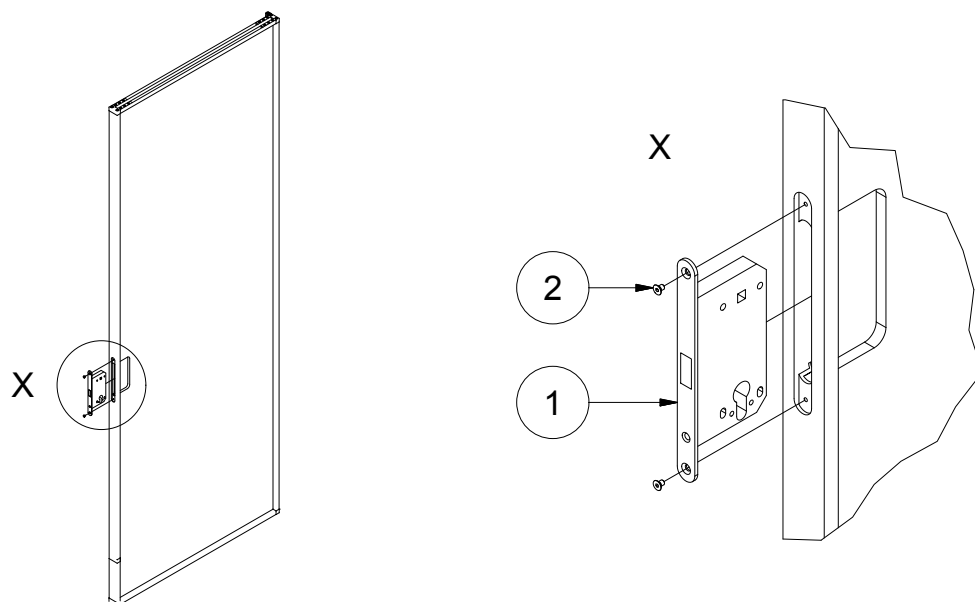
Door frame Swing door slim line



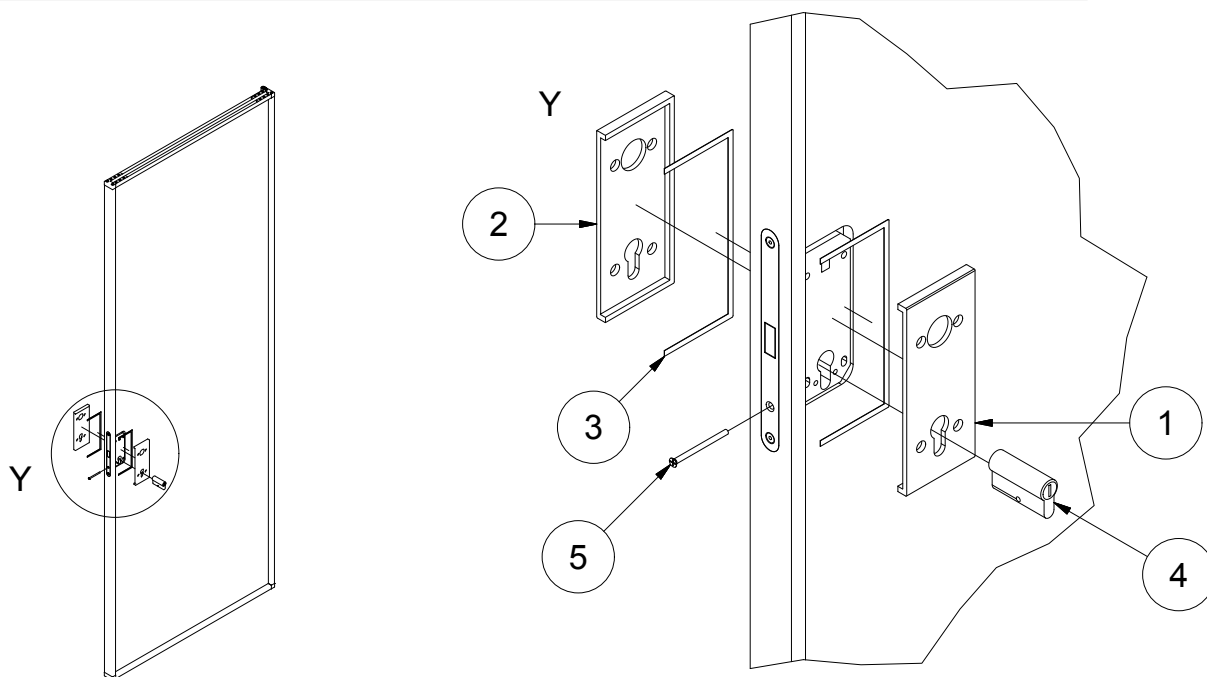
Dividing rail 28 mm



# ASSEMBLY

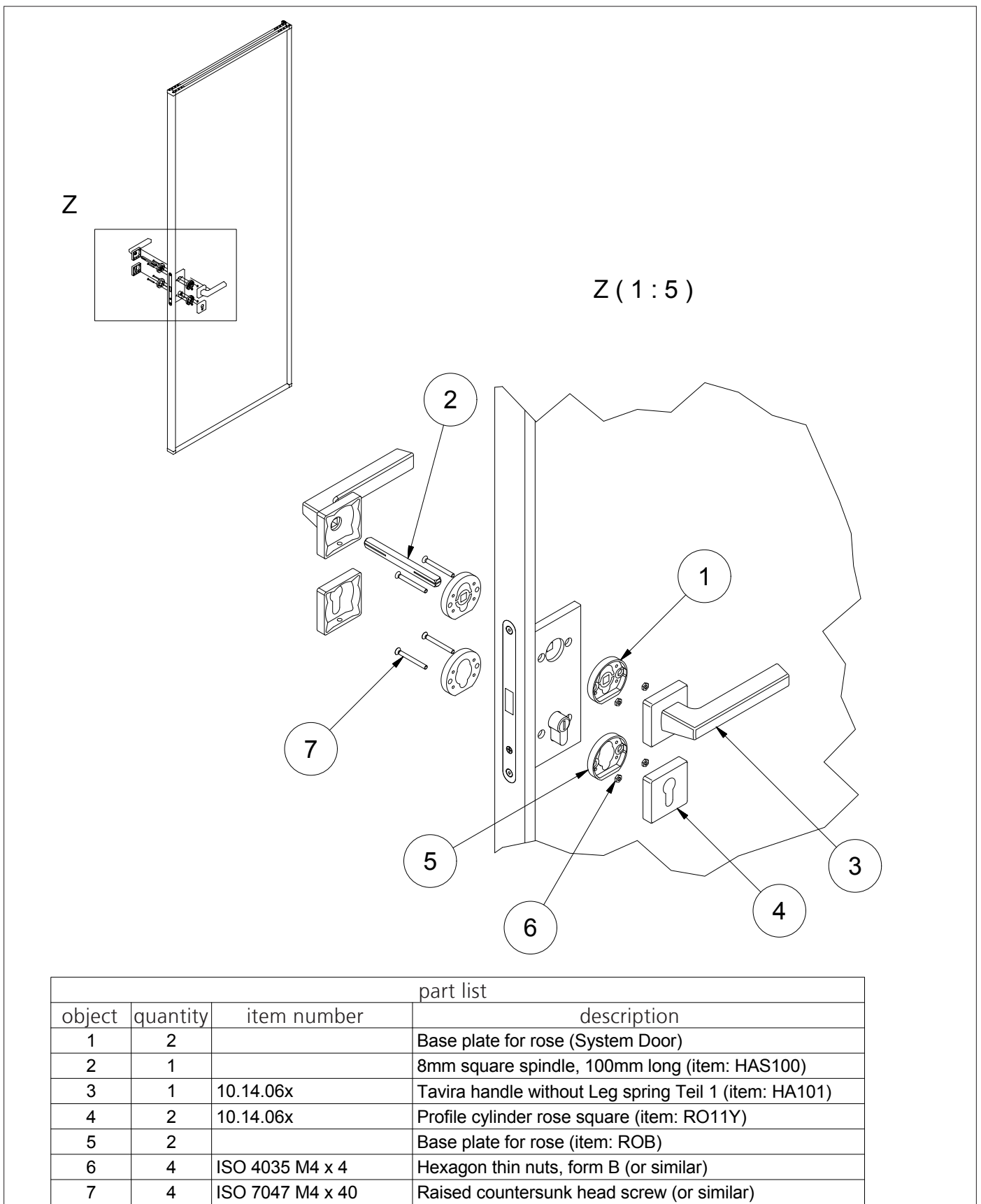


| part list |          |             |                                   |
|-----------|----------|-------------|-----------------------------------|
| object    | quantity | item number | description                       |
| 1         | 1        | 10.14.050   | magnetic lock nickel mat          |
| 2         | 2        | 10.01.066   | handle with square rosettes black |



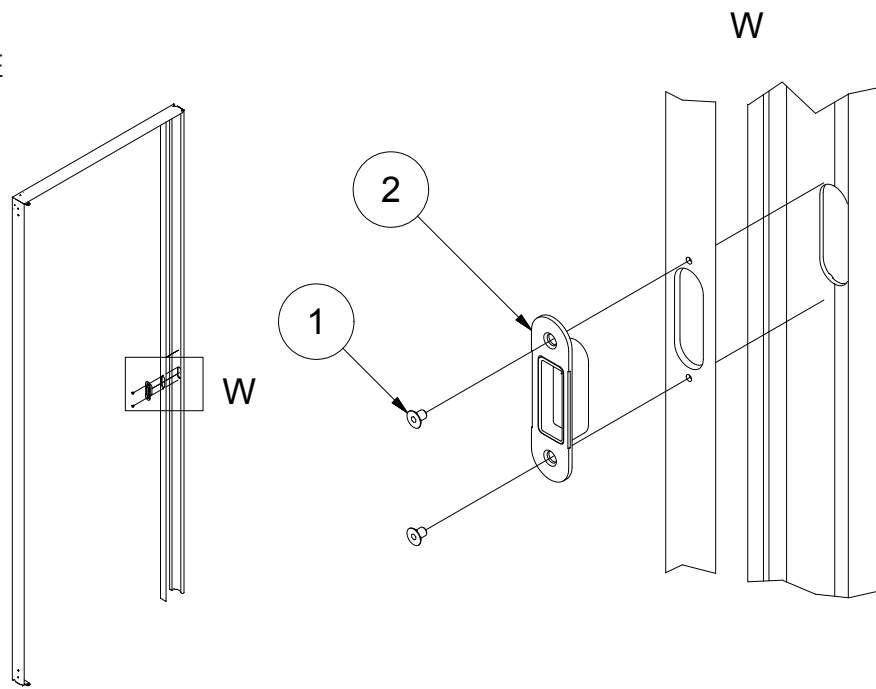
| part list |          |               |                              |
|-----------|----------|---------------|------------------------------|
| object    | quantity | item number   | description                  |
| 1         | 1        | 10.14.056     | lock case silver lacquered   |
| 2         | 1        | 10.14.056     | lock case silver lacquered   |
| 3         | 2        | 10.14.056A    | Tape                         |
| 4         | 1        | 10.14.05x     | profile cylinder, nickel mat |
| 5         | 1        | 10.14.055 x/x | ScrewsM5 x55                 |

# ASSEMBLY



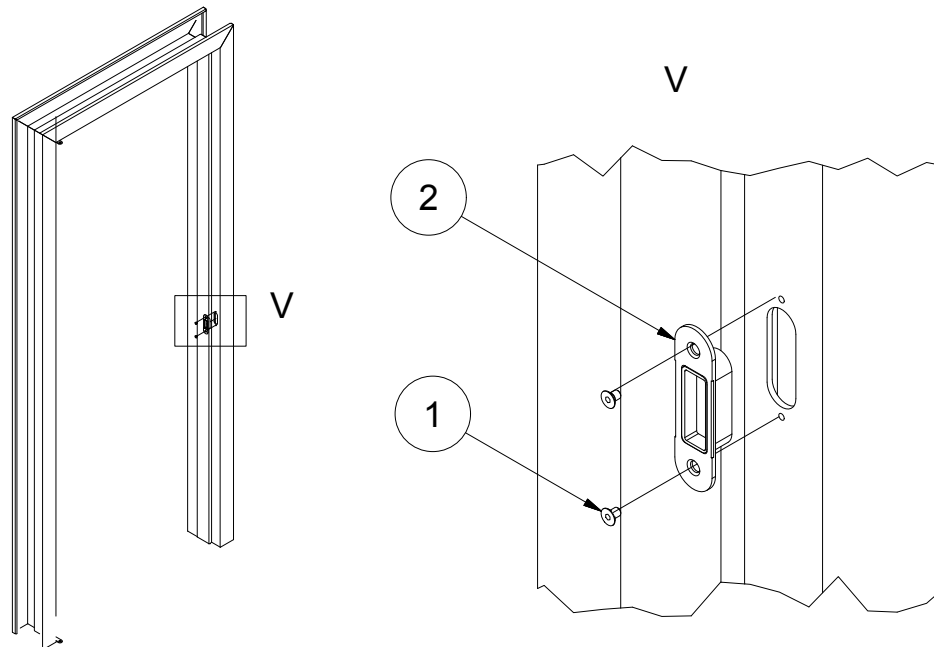
# FRAME AND LOCKING PLATE

SWING DOOR SLIM LINE  
FRAME



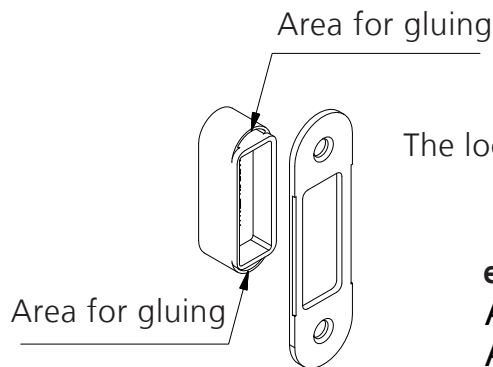
| part list |          |             |                                   |
|-----------|----------|-------------|-----------------------------------|
| object    | quantity | item number | description                       |
| 1         | 4        | 10.01.066   | screws for corner connector       |
| 2         | 1        | 10.14.05x   | handle with square rosettes black |

SWING DOOR  
FRAME



| part list |          |             |                                |
|-----------|----------|-------------|--------------------------------|
| object    | quantity | item number | description                    |
| 1         | 2        | 10.01.066   | screws                         |
| 2         | 1        | 10.14.05x   | locking plate f. mangetic lock |

# PARTICULARITIES



The locking plate consists of the sheet metal part and magnets.  
The two parts must be glued

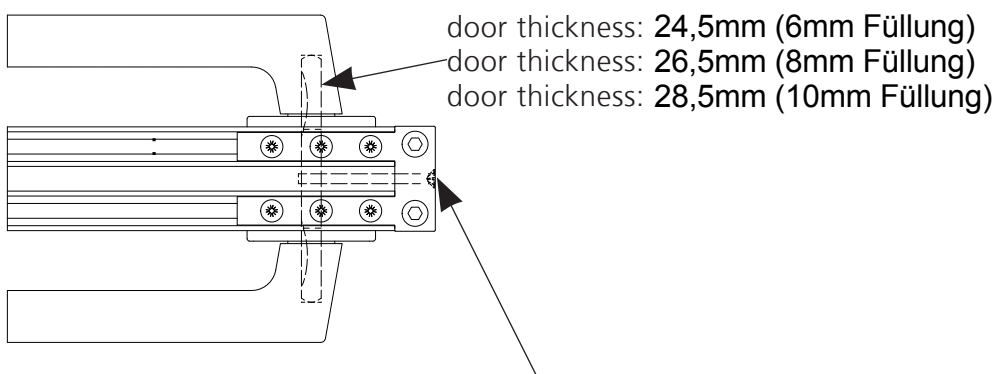
**e.g. Innotec Topfix**  
**Art. 07.1435 (black)**  
**Art. 07.1437 (grey)**

## Swing door lock

A suitable handle set for the magnetic lock of STV (Serrature Tagliapietra) must: The two parts:

- the rosette have a drilling distance of 38 mm
- Fix the rosette with two screws going through the door
- the handle set for glass doors, not for wooden doors
- Holes A and B are important for the lock case

The following door thickness must be taken into account for the rectangular pin (edge length: 8mm)



The screw to secure the cylinder may be max. 60mm long.  
Otherwise the bolt will collide with the lock.