

INTERIOR SYSTEM: ASSEMBLY INSTRUCTION

TROUSER PULL OUT

Version 1.7 (2019-08-28)

5.19.1.c

easy medium difficult

Assemble 

Subject to technical changes.

raumplus[®]

CONTENT AND TOOLS

CONTENT:

Content and tools	page	02
Product information	page	03
Accessories	page	04
Detail drawings	page	06
Off dimensions	page	07
Drilling aluminium frame	page	17
Position velcro	page	18

TOOLS:

(without claim of completeness)

- hack saw
- allen key 4 mm
- drilling machine
- drill metal 5 mm
- screwdriver set
- pencil
- cordless screwdriver



VERSION INFORMATION:








Version 1.4: Added mounting cover / dividing rail / mounting holes and end caps / min. max. trousers / updated part numbers and detail drawing / total views added
1.5: Front facing modified
1.6: Front facing / gap dimension 3 mm or 5 mm possible
1.7: corrected drilling measurement.

PRODUCT INFORMATION

GENERAL INFORMATION: Preparation

- This manual is part of the product and describes the safe and proper installation of the system. Please read the instructions carefully before installation
- Please note that the assembly should only be done by qualified and trained staff in strict compliance with all details indicated in this document. Improper installation in variation from manufacturer's specification may cause defects and danger, thus endangering the safe fixing of the product as well as the safety of the prospective user. The liability of the manufacturer shall be excluded in case of defects and consequential damages resulting from incorrect assembly of this product.
- Please check the completeness of the delivered parts and check carefully if any transport damages are visible.
- If any parts are damaged or lost, please immediately contact the responsible supplier.
- It is assumed that you have exactly identified all cutting dimensions according to the measurement instruction for **raumplus** products.

SYMBOLE:

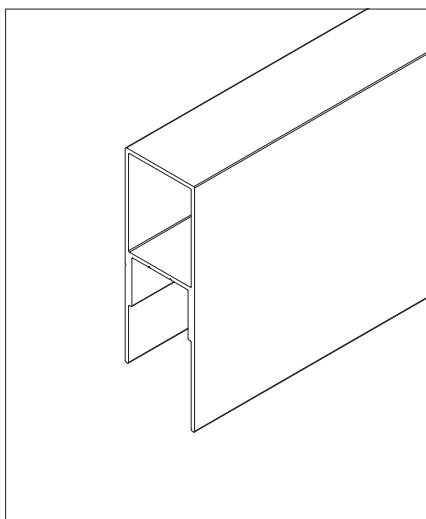
Symbol	Importance
	Risk or danger!
	Advice and information
	Additional information / other documents
	Directional data / direction of movement
	„yes“ and „right“
	„no“ and „wrong“
	Follow the order

SYSTEM:

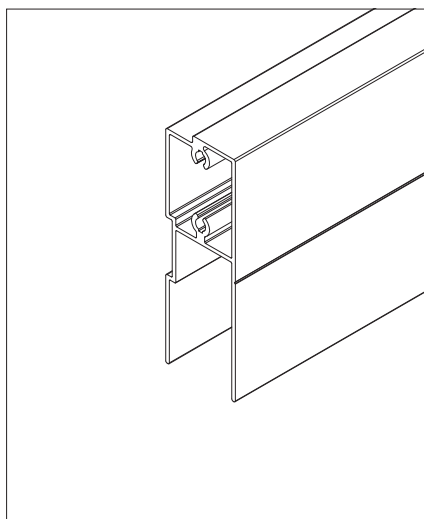
System Information: Trouser pull out

- min./max. Cabinet shelf width = **500 mm / 1200 mm**
- fixed depth = **470 mm (with front facing 25 mm)**
- Uno shelf depth min. = **500 mm**
- Cornice shelf depth min = **521 mm**

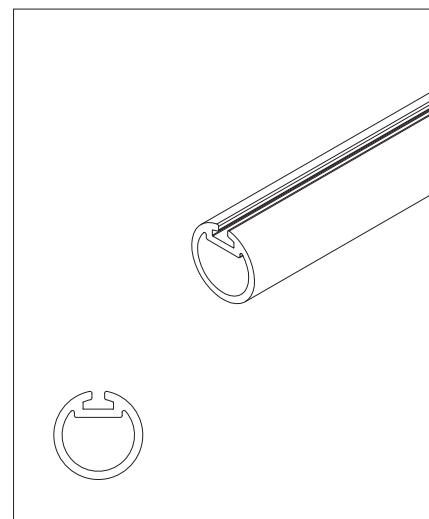
ACCESSORIES



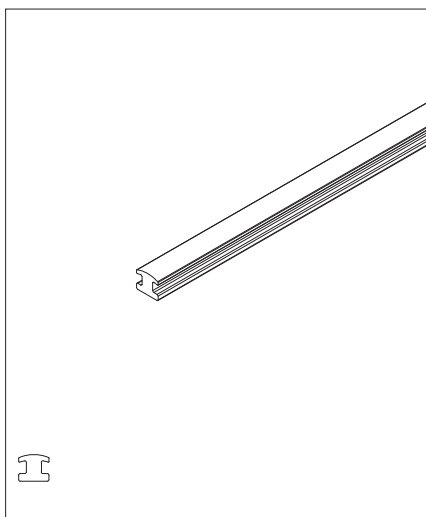
1_ silver 89.31.023
dark bronze 89.31.053



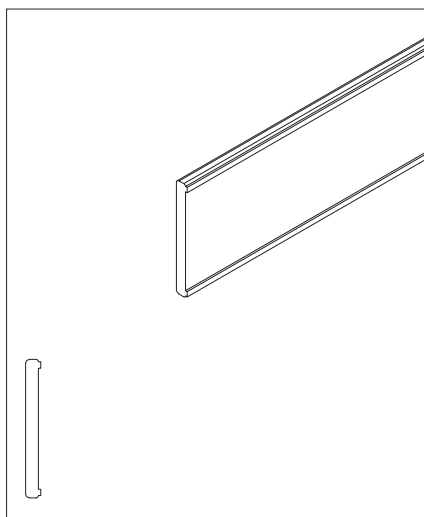
2_ silver 89.31.022
dark bronze 89.31.052



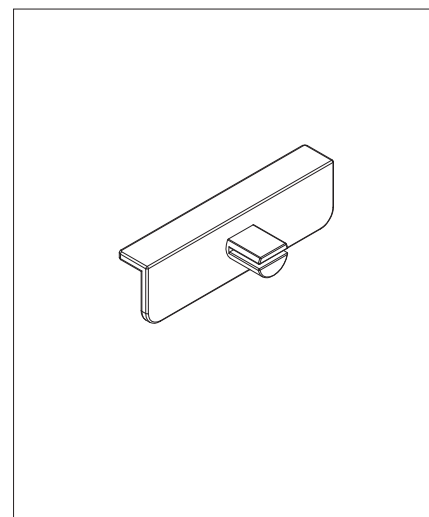
3_ silver 89.31.020
dark bronze 89.31.050



4_ 10.89.013



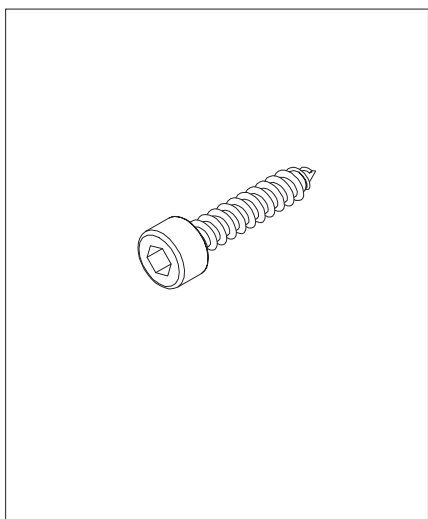
5_ silver 26.33.020
dark bronze 26.33.050



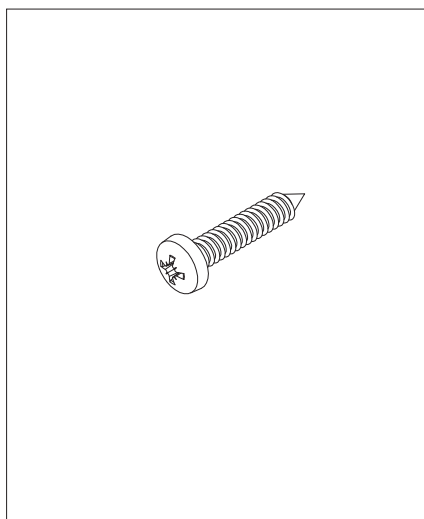
6_ 89.31.025

- 1_ side for trouser pull out
- 2_ front-/ back for trouser pull out
- 3_ tube for trouser pull out
- 4_ pilaster strip for tube
- 5_ dividing rail to be glued 18mm
- 6_ glider for trouser pull out

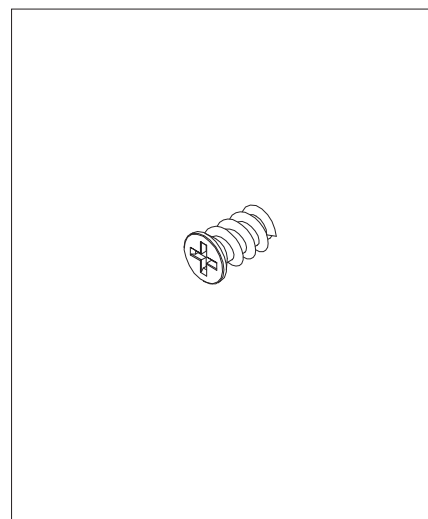
ACCESSORIES



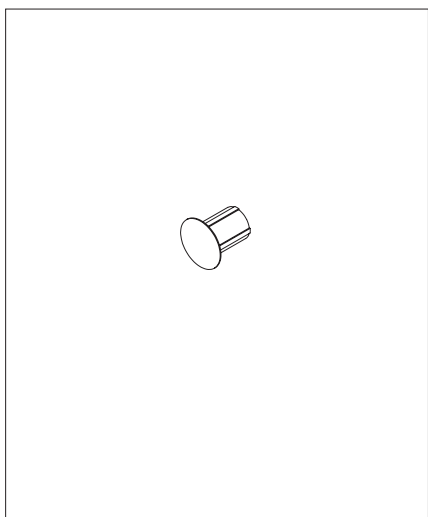
7_ 89.31.024



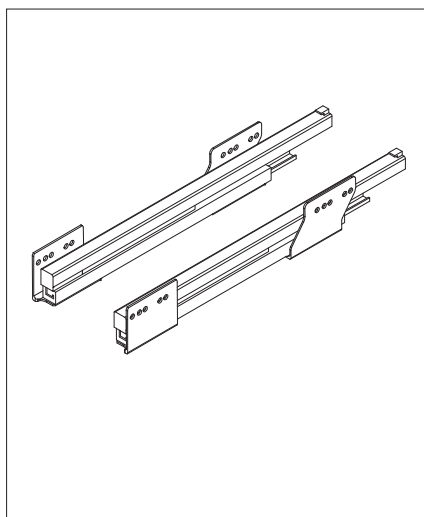
8_ 89.31.028



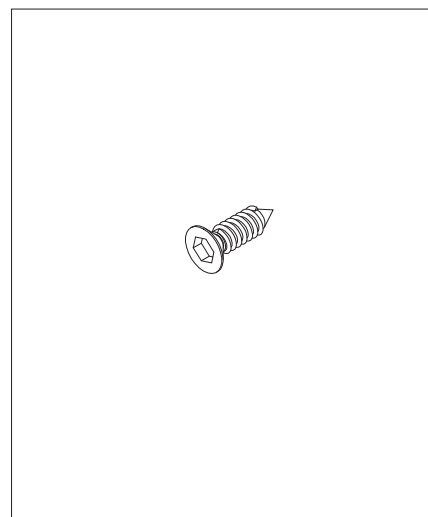
9_ 82.10.164



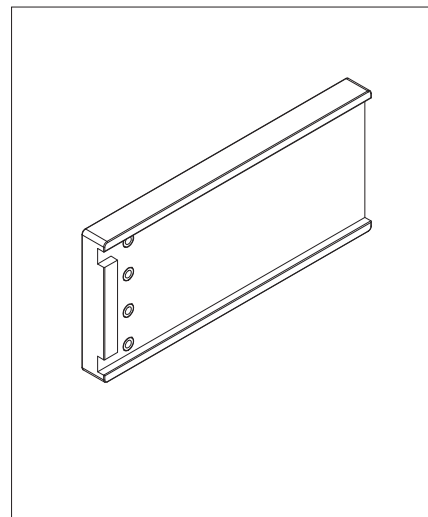
10_ 89.31.021



11_ 10.10.055



12_ 89.31.027



13_ 30.14.015

7_ tapping screw cylinder head 4.8x19

8_ chipboard screw 4x20

9_ euro screw 6.3x11

10_ end cap for trouser pull-out for 5 mm hole, black

11_ self-closing drawer runner 450 mm

12_ metal sheet screw 3.5x13

13_ drilling template trouser pull out, optional

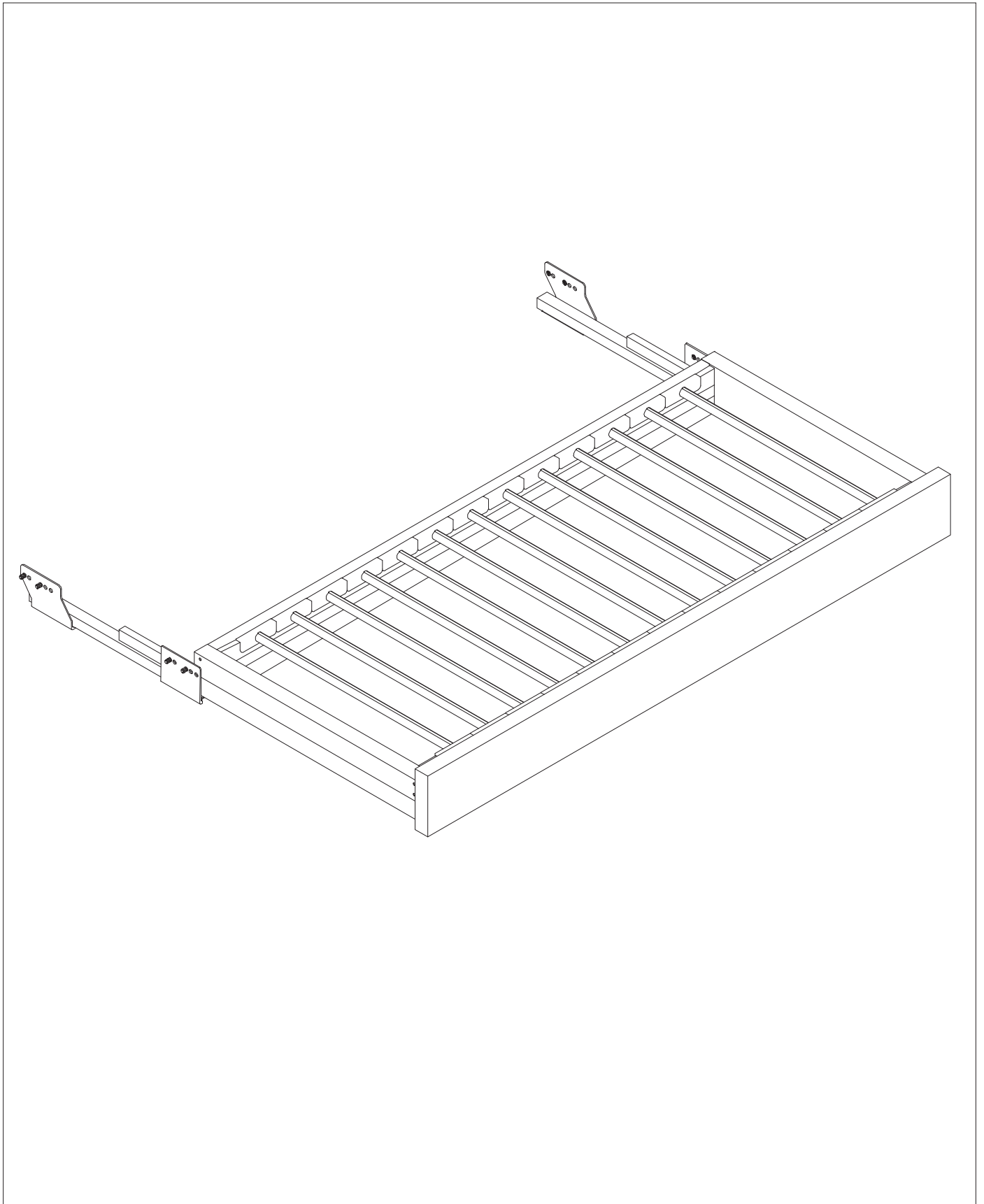
w/o illustration

14_ velcro tape set 89.31.029

15_ double side tape for dividing rail 15 mm 25.12.042

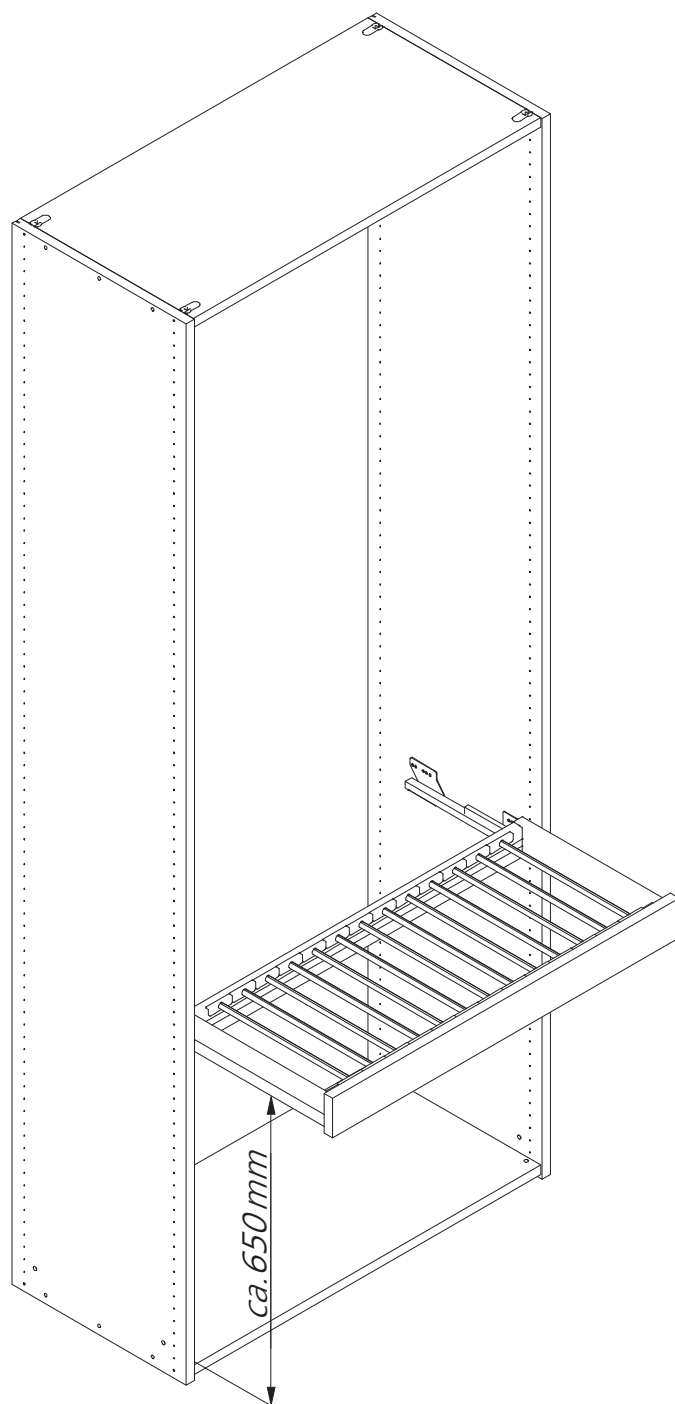
DETAIL DRAWING

TROUSER PULL OUT COMPLETE



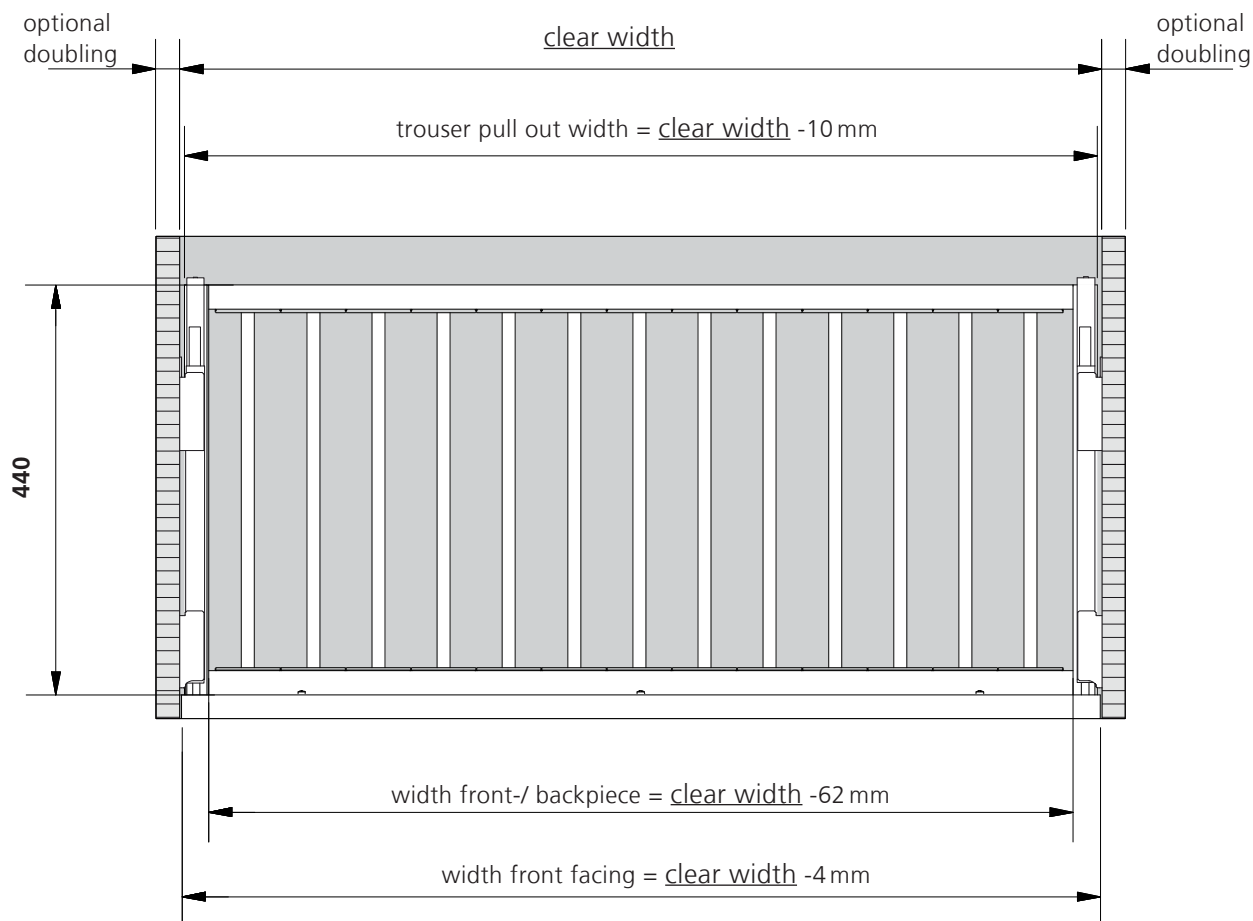
ASSEMBLY INSTRUCTIONS

LEGNO / ECOLINE / FLUA



CUTTING DIMENSIONS

LEGNO / ECOLINE / FLUA



number of trousers = width front-/ backpiece : 70
Please round results.

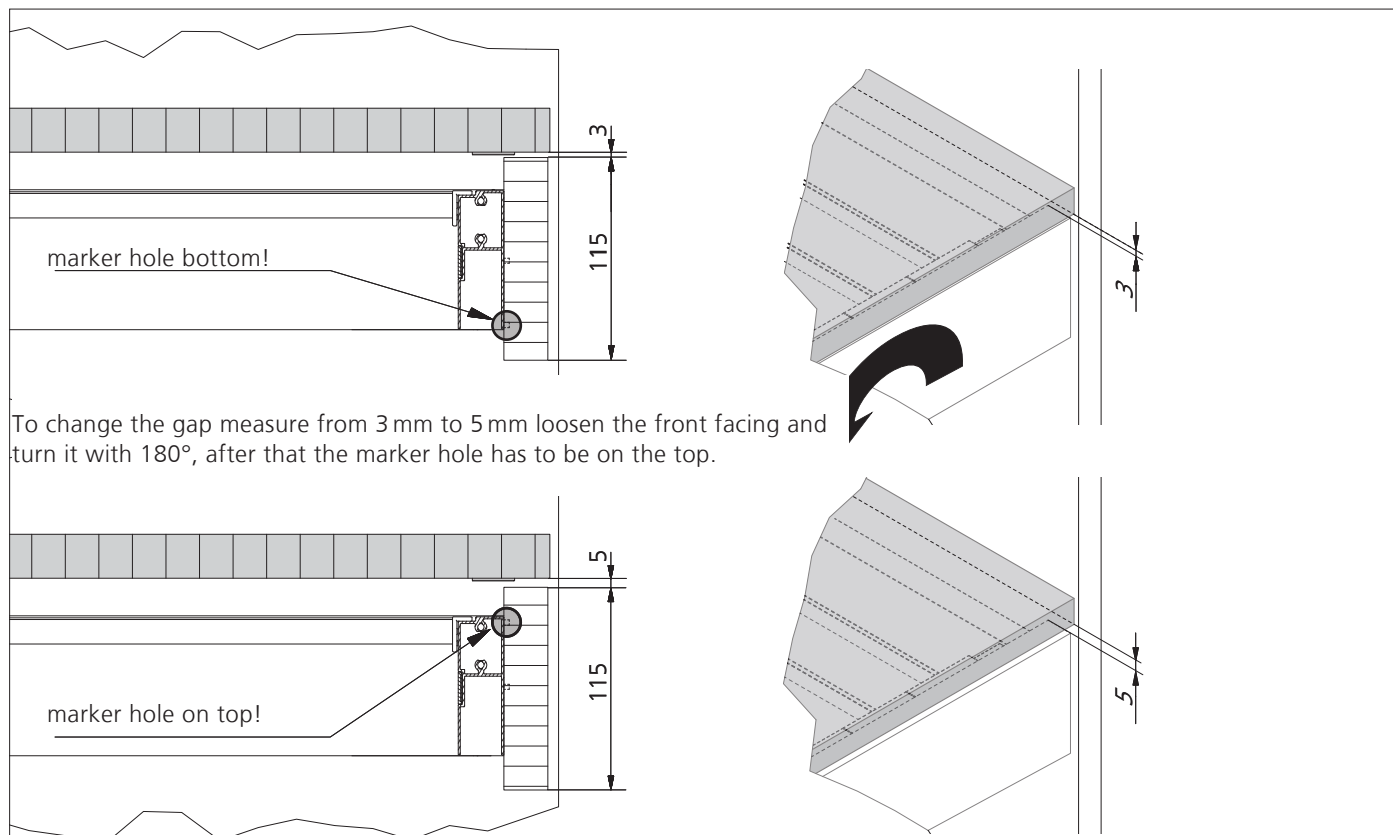
Fixed dimensions:

side piece length = 440 mm
tube length = 383 mm
pilaster length = 383 mm

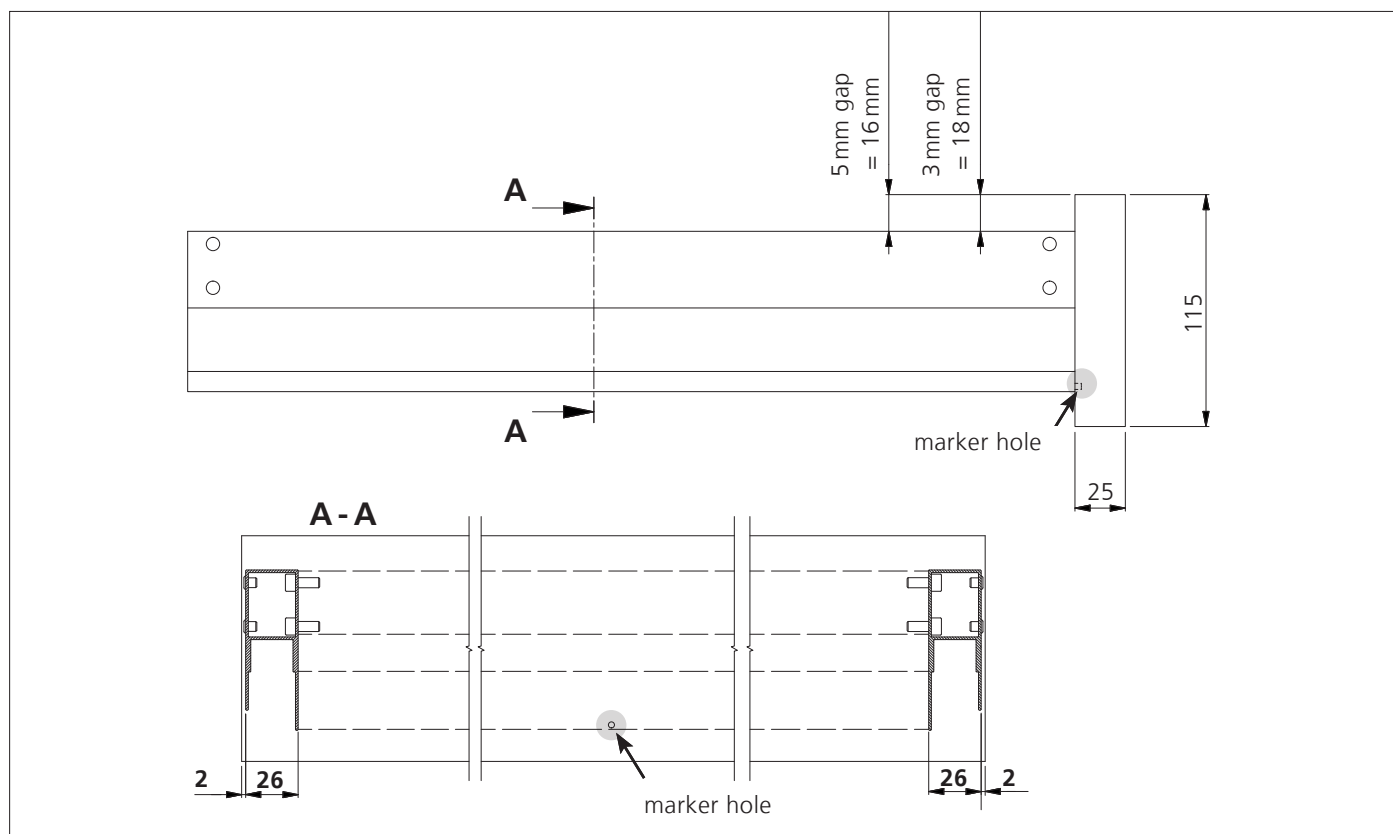
number of trousers	per <u>clear width</u> in mm:
6	485
7	555
8	625
9	695
10	765
11	835
12	905
13	975
14	1045
15	1115
16	1185

POSITION FRONT FACING

LEGNO / ECOLINE / FLUA



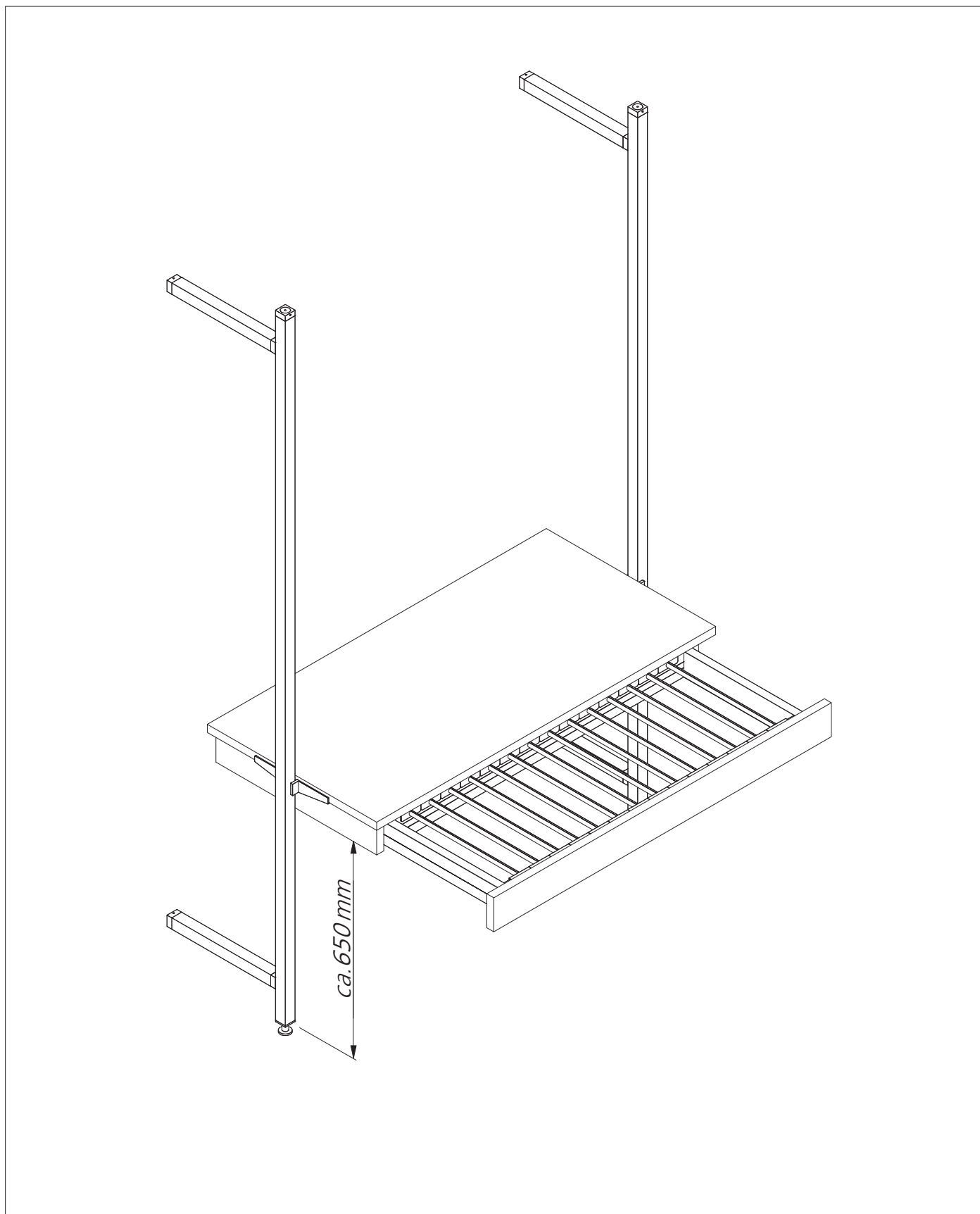
1_



2_

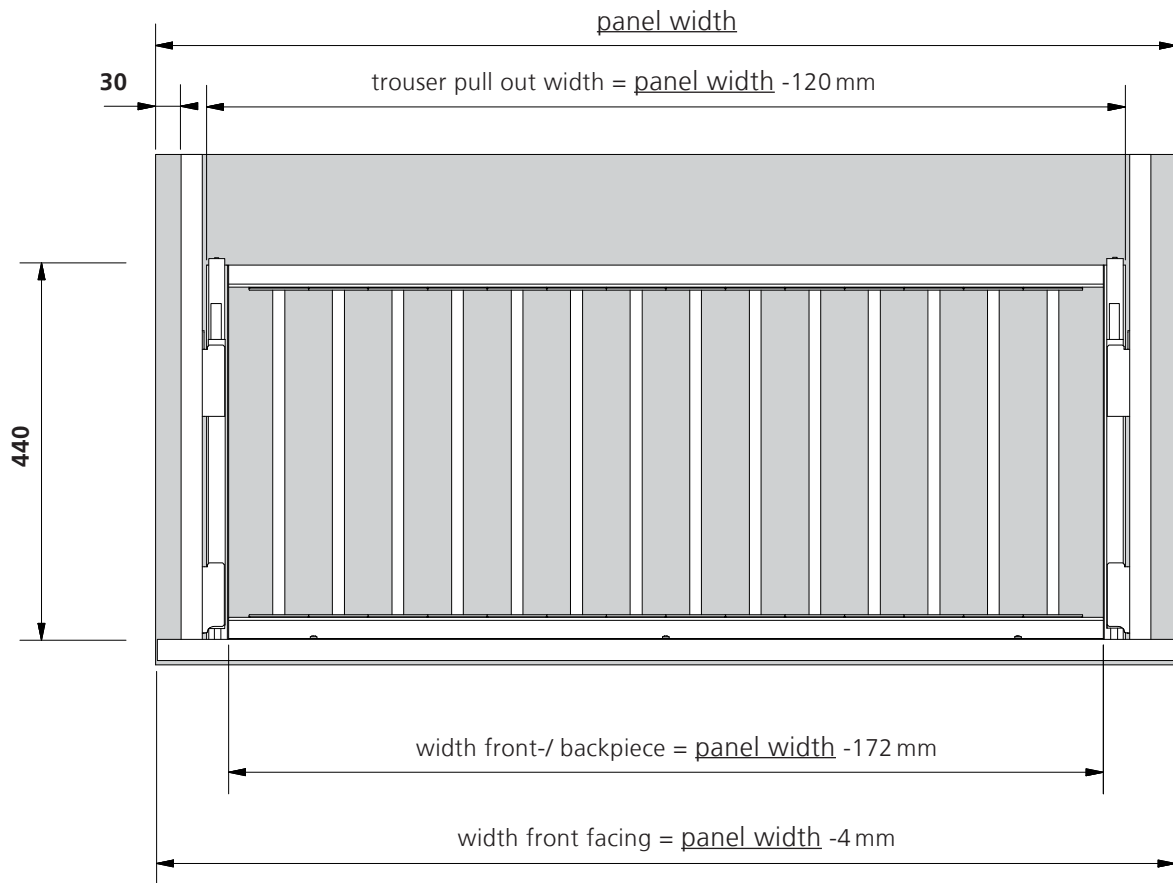
ASSEMBLY INSTRUCTIONS

UNO



CUTTING DIMENSIONS

UNO



number of trousers = width front-/ backpiece : 70
Please round the results.

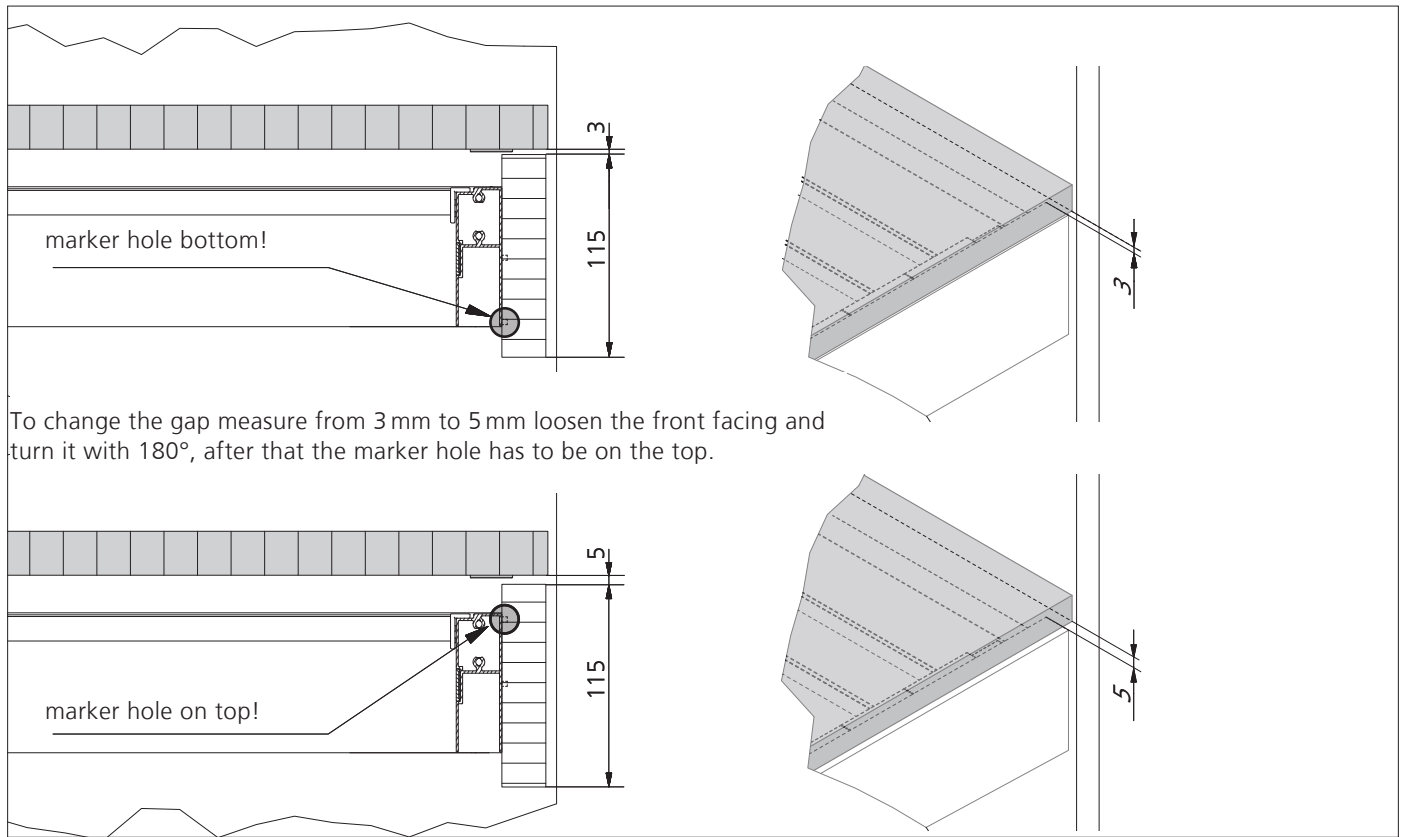
number of trousers	per <u>clear width</u> in mm:
4	500
6	600
7	700
8	800
10	900
11	1000
13	1100
14	1200

Fixed dimensions:

side piece length = 440 mm
tube length = 383 mm
pilaster length = 383 mm

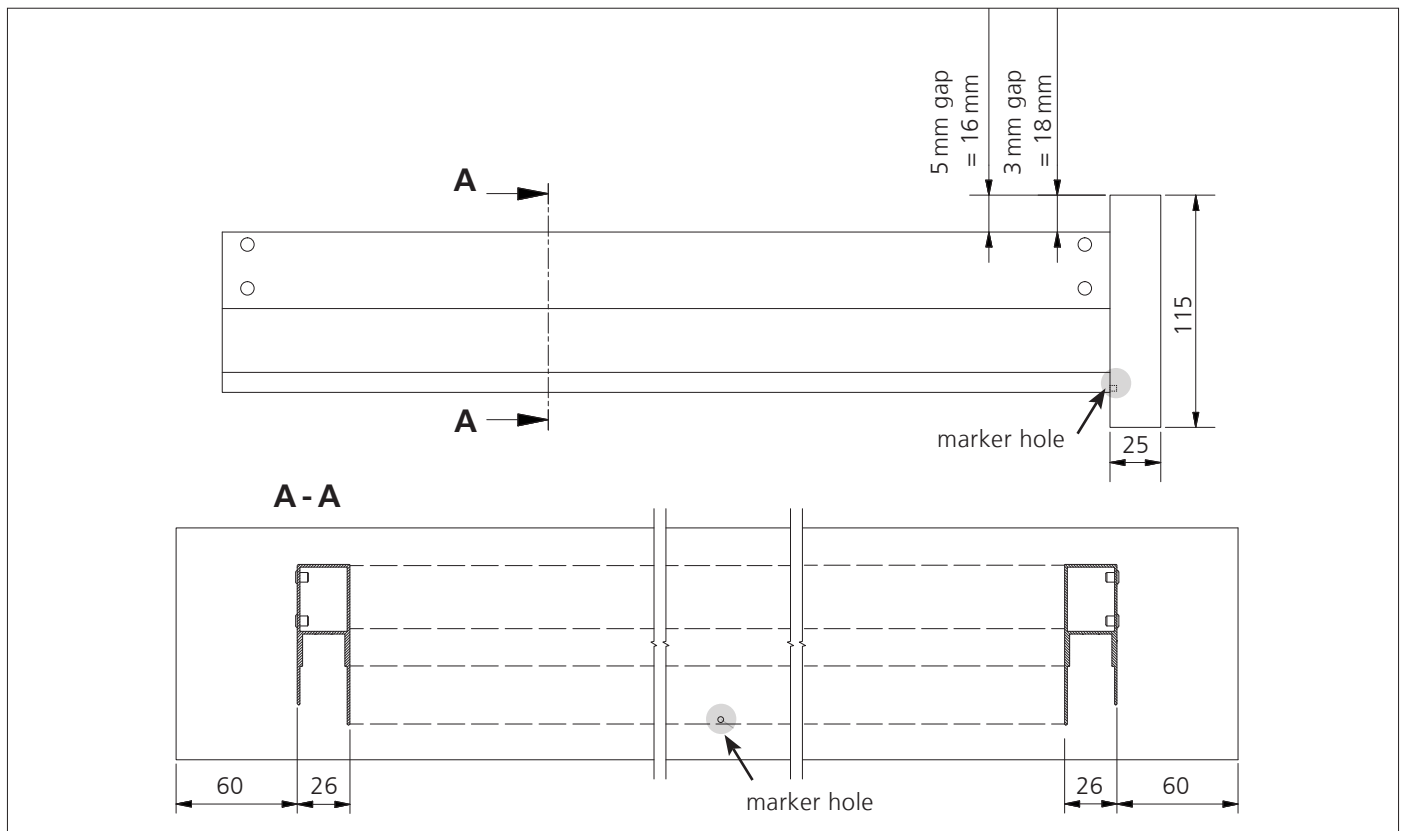
POSITION FRONT FACING

UNO



To change the gap measure from 3 mm to 5 mm loosen the front facing and turn it with 180°, after that the marker hole has to be on the top.

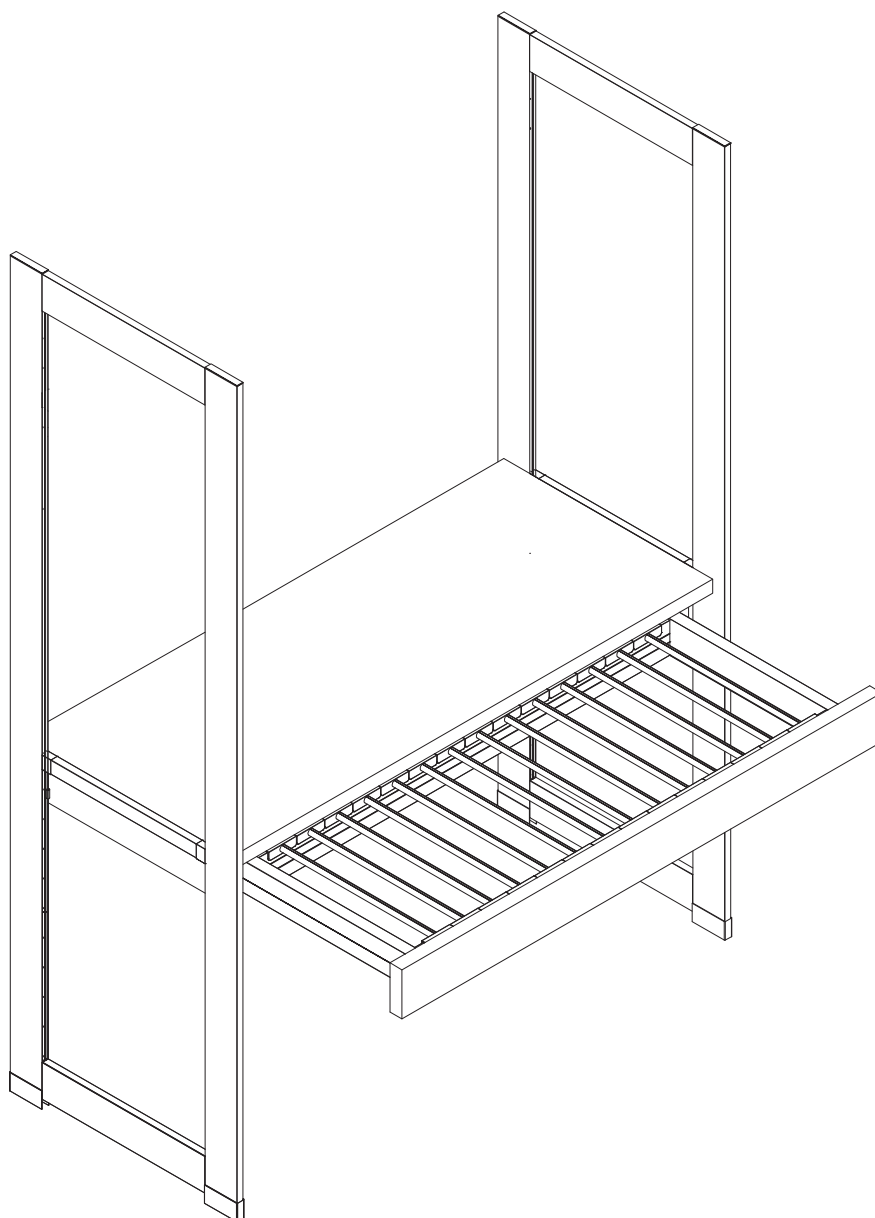
1_



2_

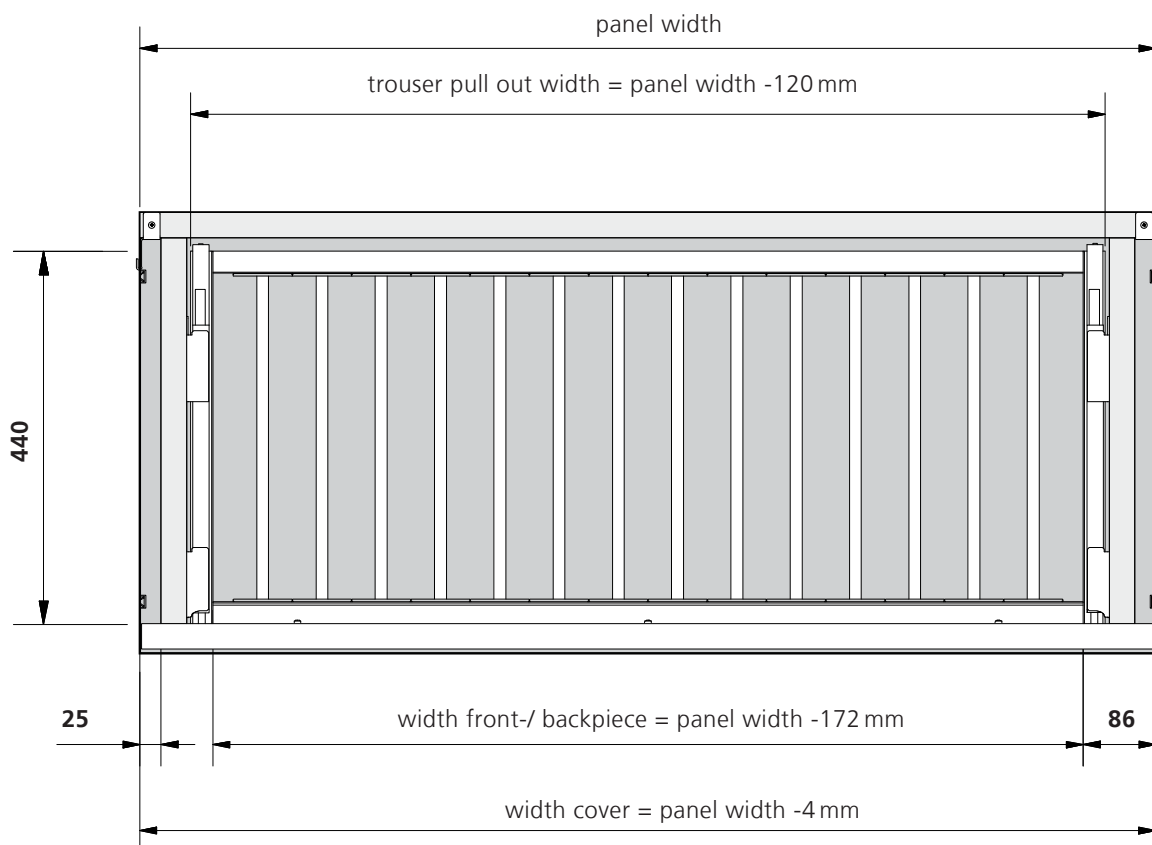
ASSEMBLY INSTRUCTIONS

CORNICE



CUTTING DIMENSIONS

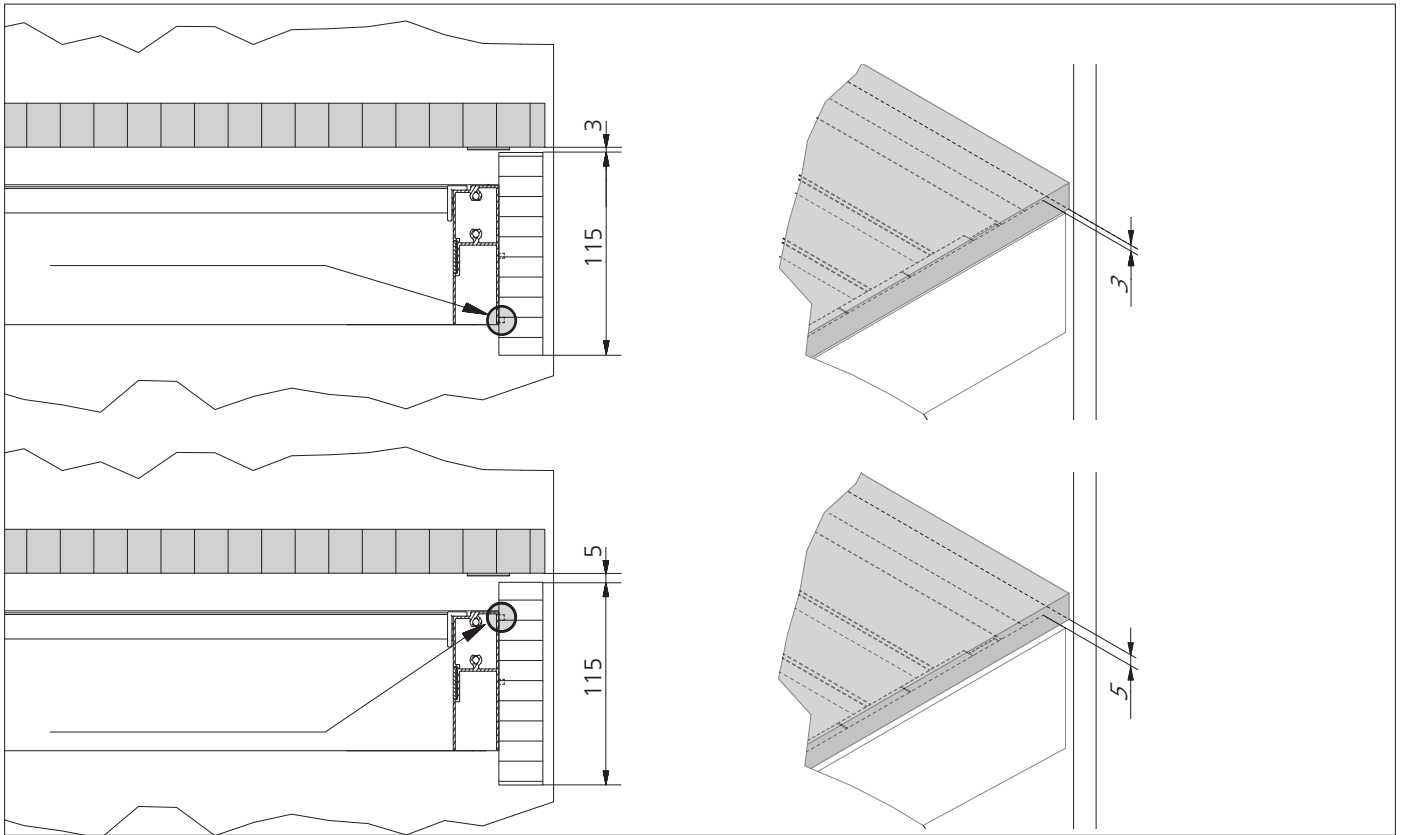
CORNICE



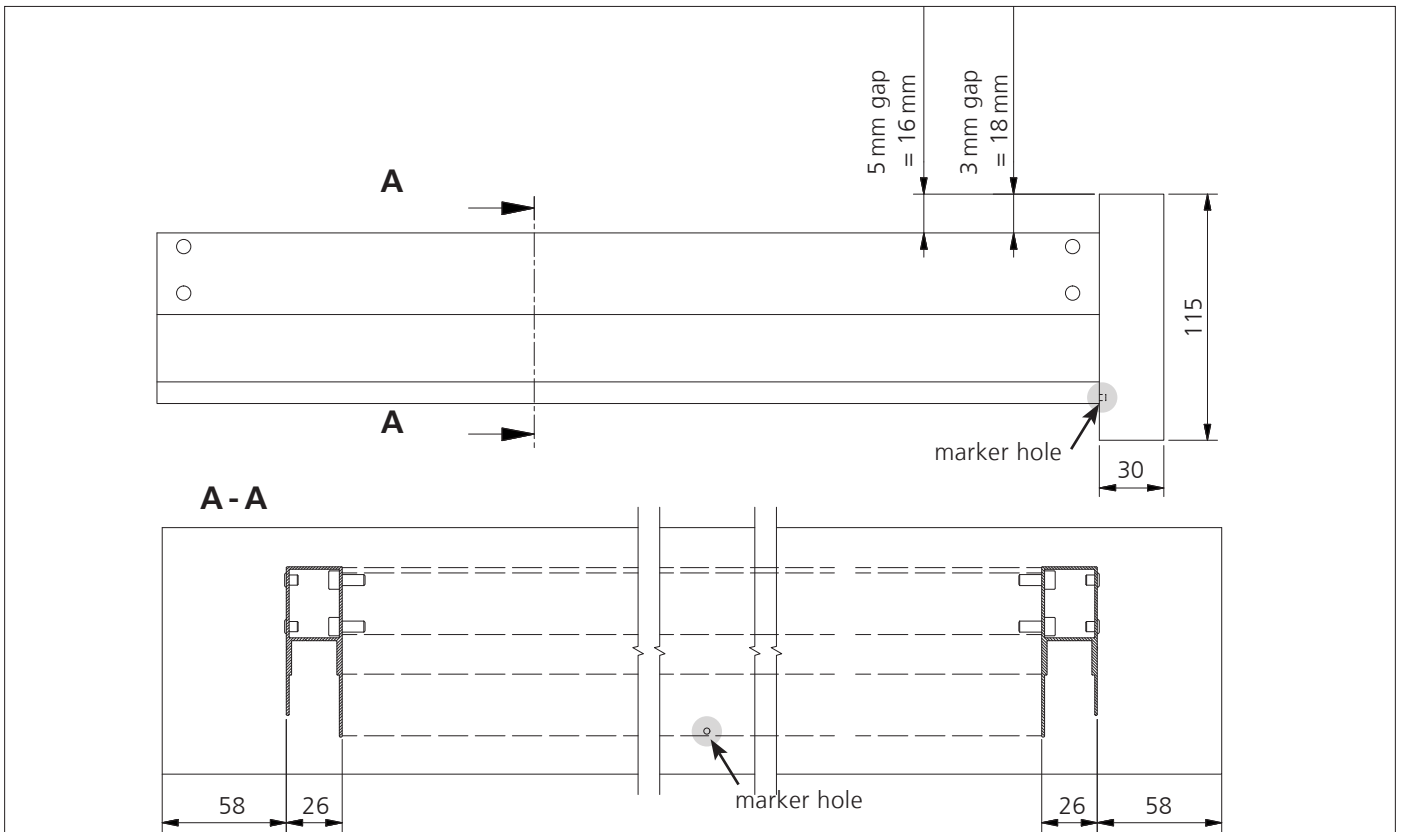
4	500
6	600
7	700
8	800
10	900
11	1000
13	1100
14	1200

DETAIL DRAWING

CORNICE



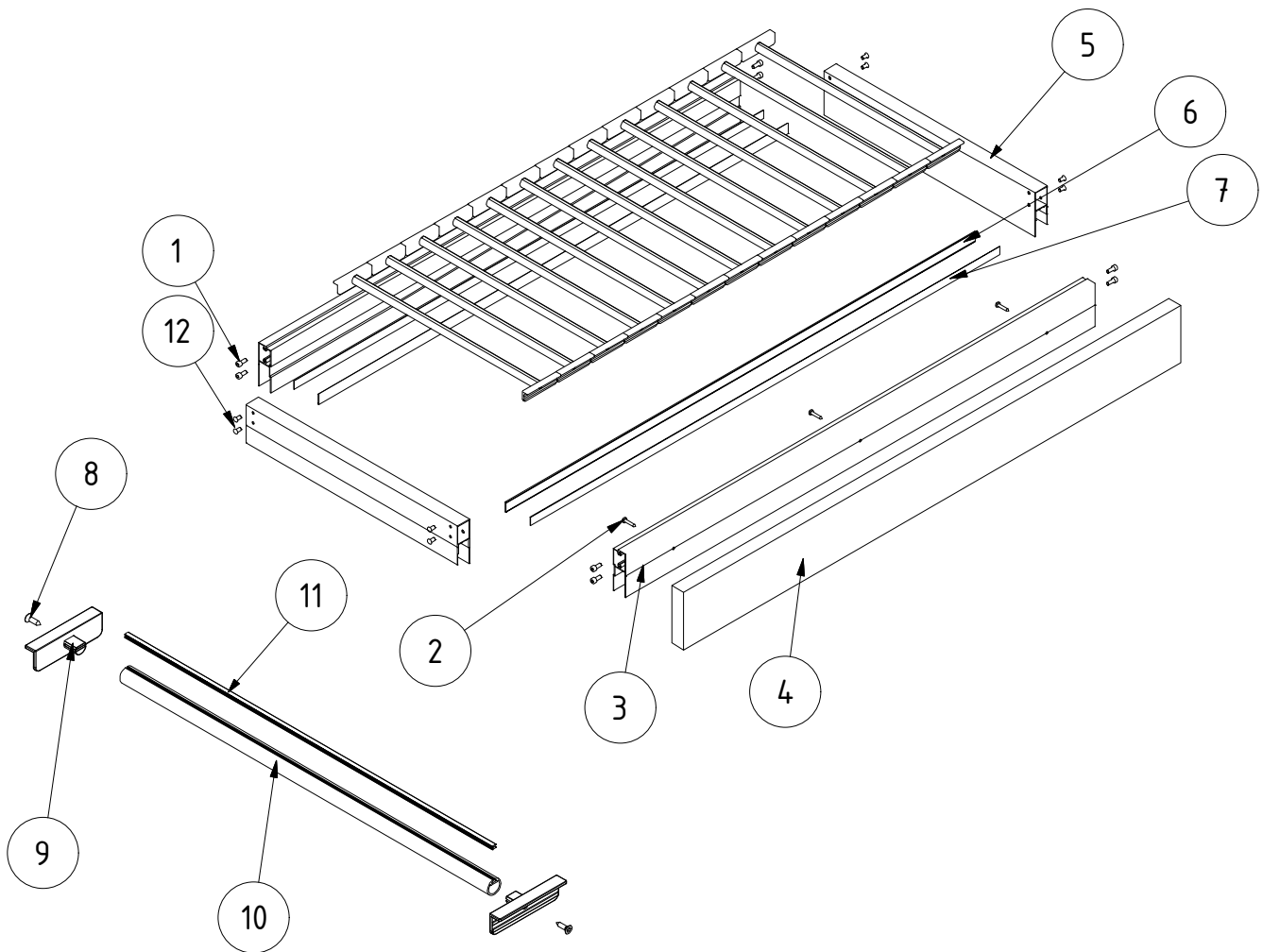
1_



2_

DETAIL DRAWING

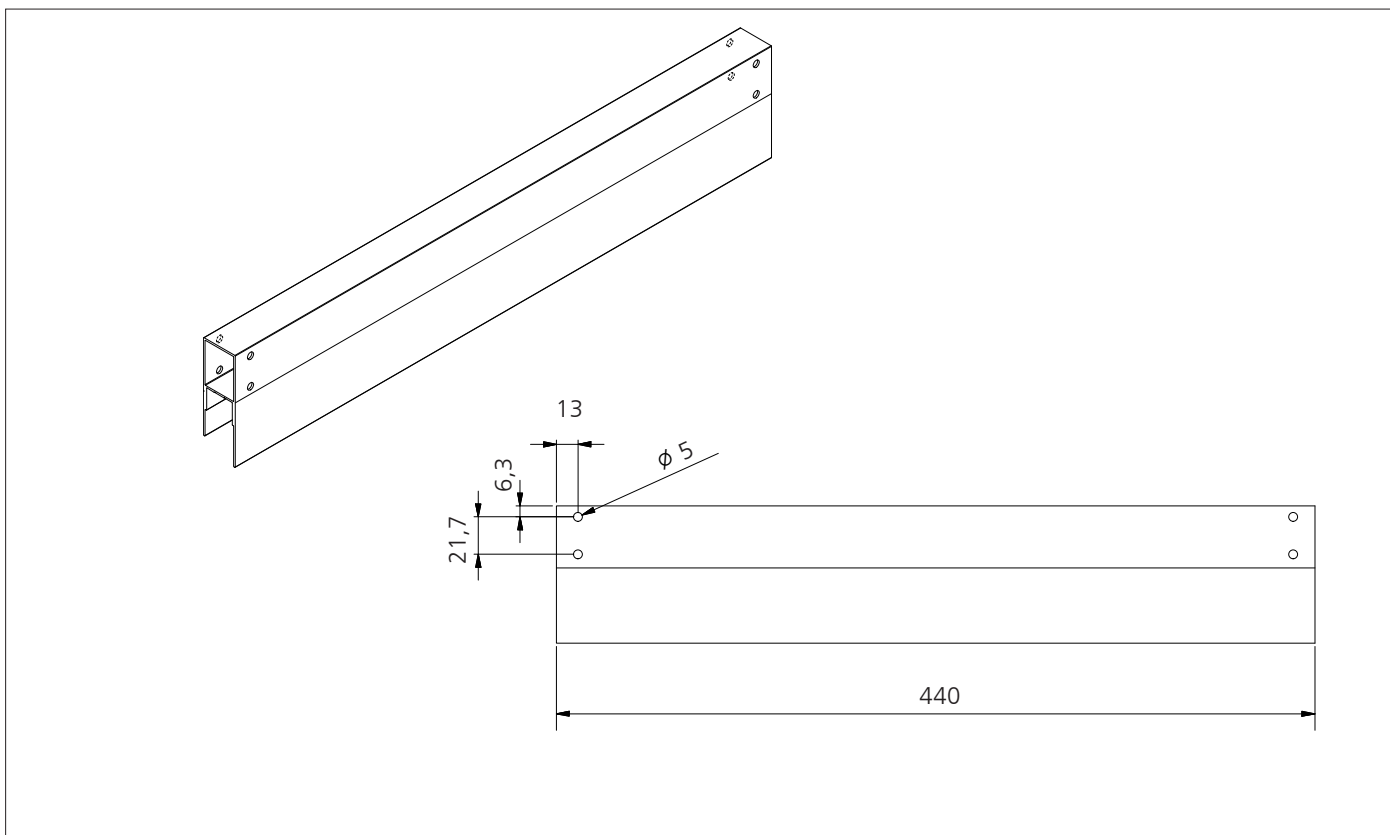
EXPLODED DRAWING



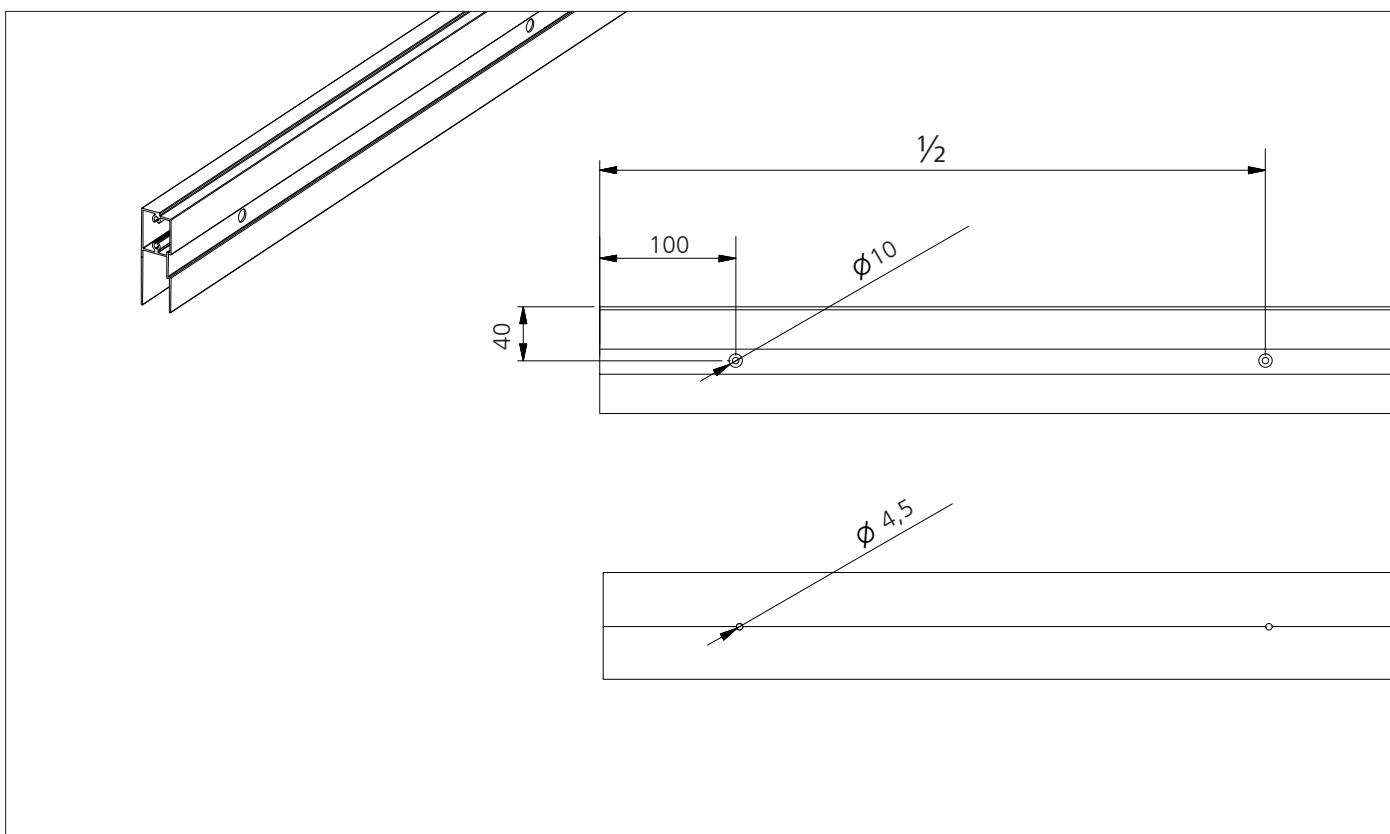
item list

object	quantity	item	item no.
1	8	tapping screw cylinder head 4.8x19	89.31.024
2	3	chipboard screw 4x20	89.31.028
3	2	front-/ back for trouser pull out	89.31.022 /052
4	1	front facing	
5	2	side for trouser pull out	89.31.023 /053
6	2	dividing rail to be glued 18mm	26.33.202 /030
7	2	double side tape for dividing rail	25.12.042
8	2	metal sheet screw 3.5x13	89.31.027
9	1	glider for trouser pull out	89.31.025
10	1	tube for trouser pull out	89.31.020 /050
11	1	pilaster strip for tube	10.89.013
12	8	end cap for trouser pull-out	89.31.021

ASSEMBLY INSTRUCTIONS



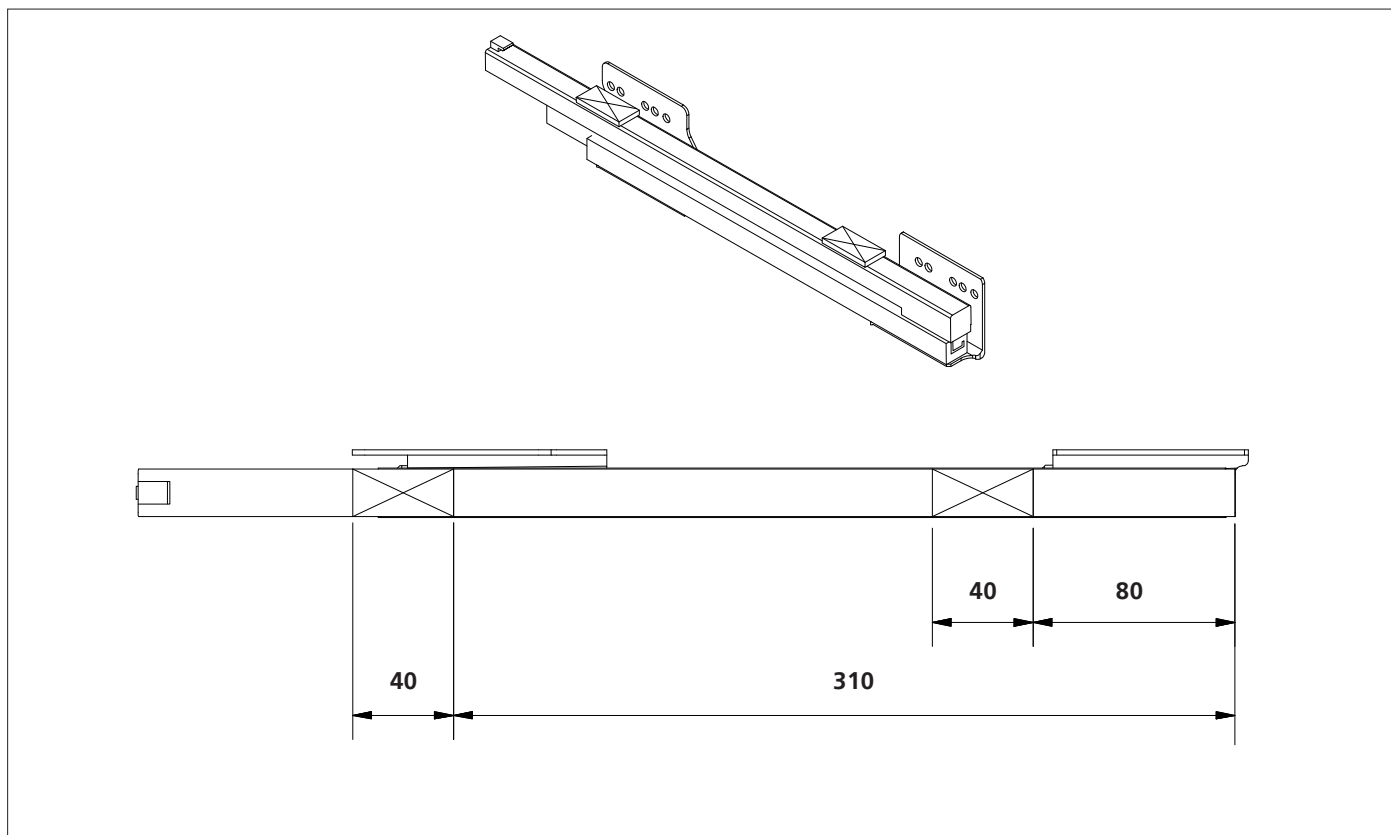
1_ Drilling aluminum frame trouser pull out / holes side pieces



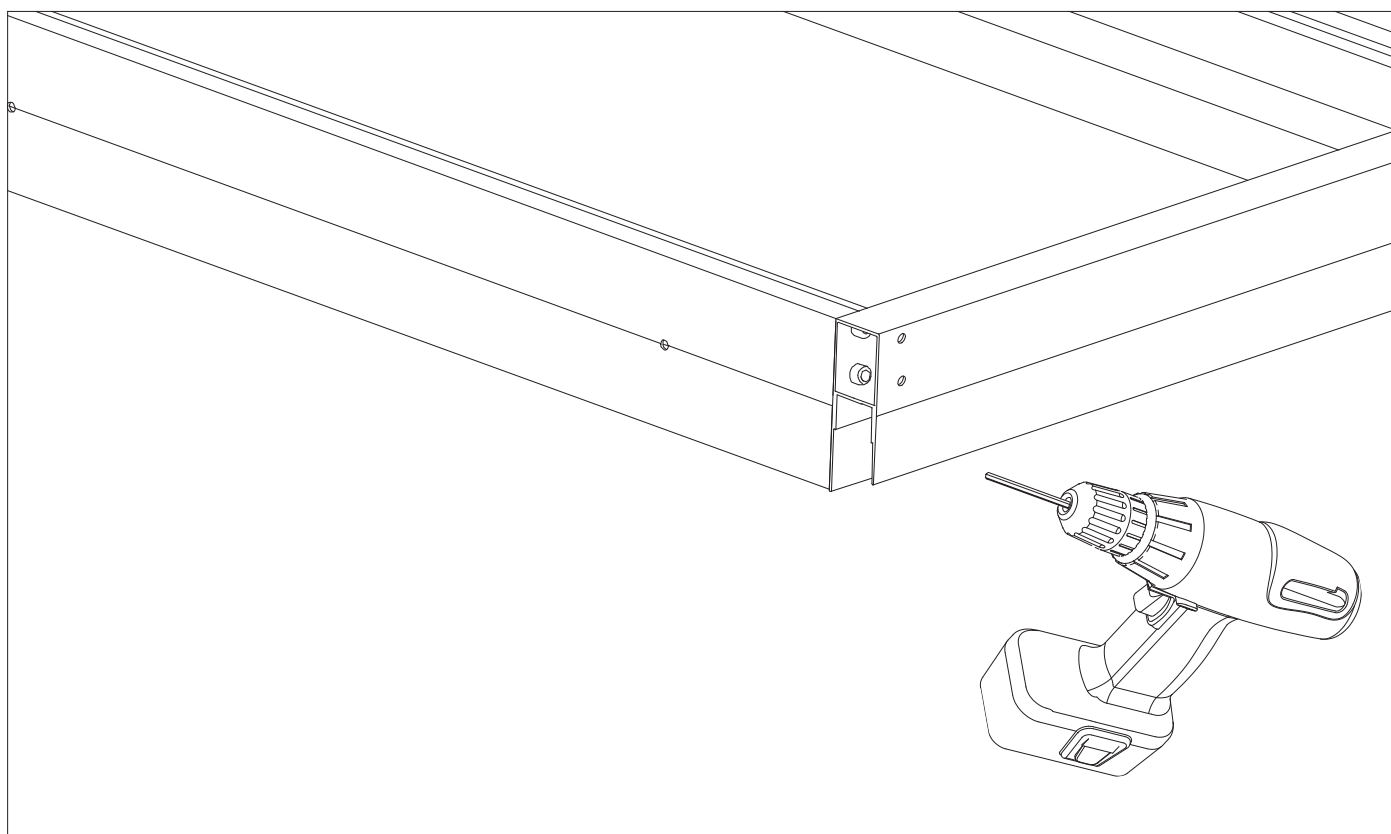
2_ holes front piece

ASSEMBLY INSTRUCTIONS

POSITION VELCRO / ASSEMBLY



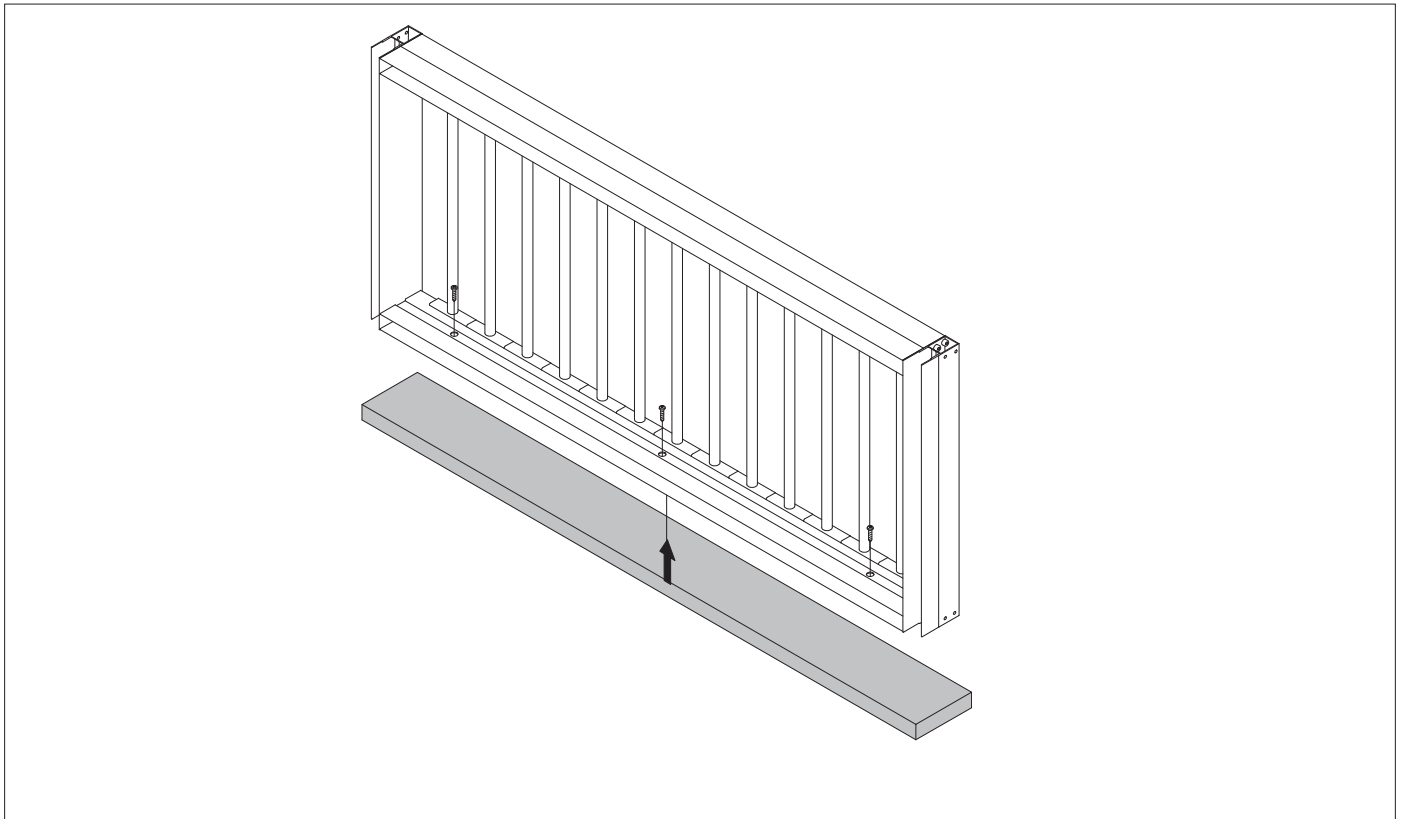
1_ Position velcro



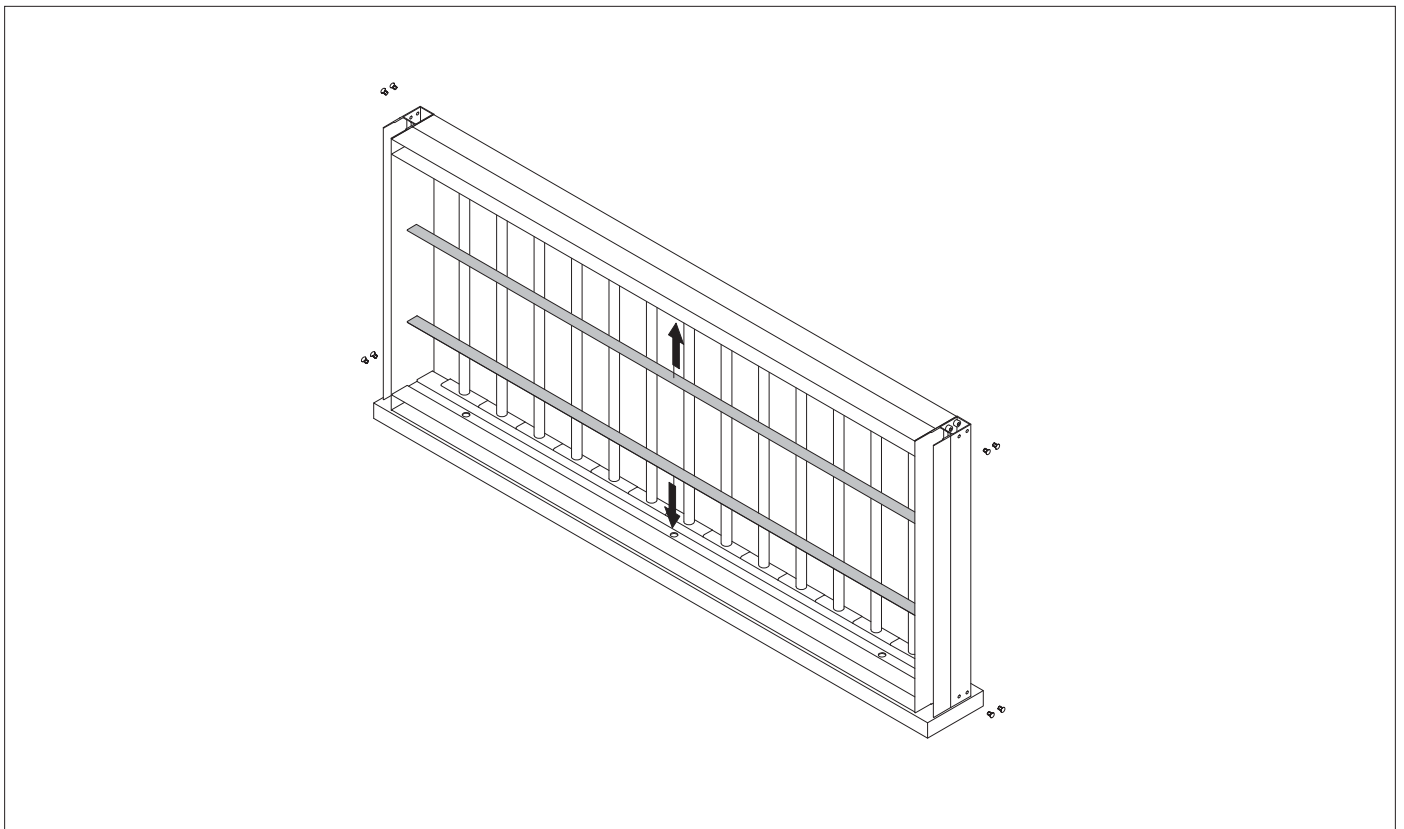
2_ Screw the frame screws with the cordless screwdriver and hex key 4 mm.

ASSEMBLY INSTRUCTIONS

MOUNT FRONT FACING / DIVIDING RAIL / END CAPS



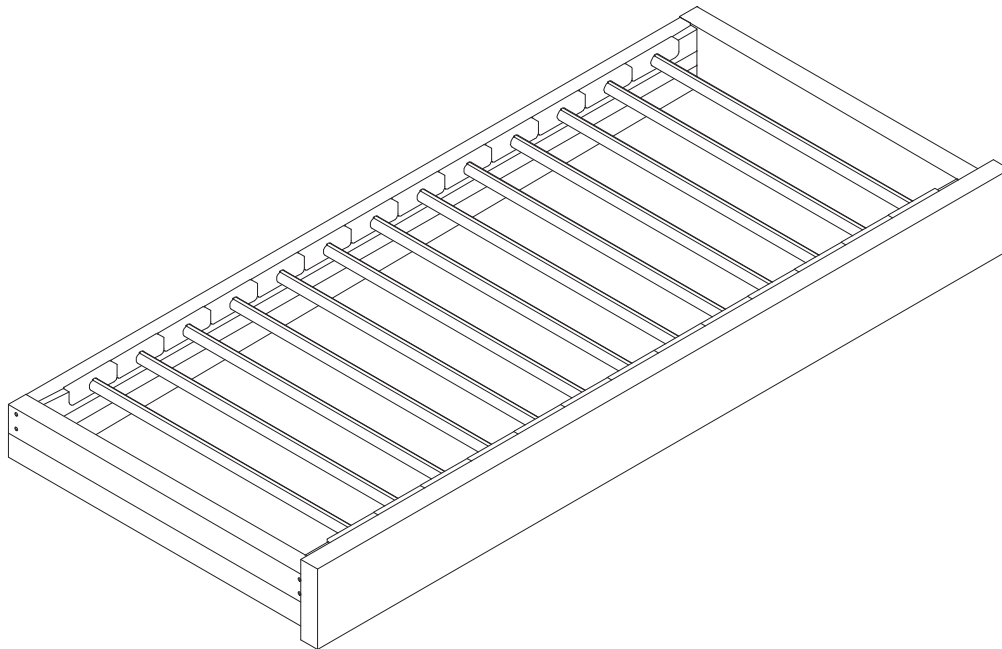
- 1_ Screw on cover from inside with chipboard screw 4x20.
The excess length left, right, top and bottom, depends on the system used.



- 2_ Please glue both dividing rails with double-sided tape from inside on the cut-outs of the front and rear part and plug in the end caps.

DETAIL DRAWING

TROUSER PULL OUT



1_ Trousers pull out with front facing